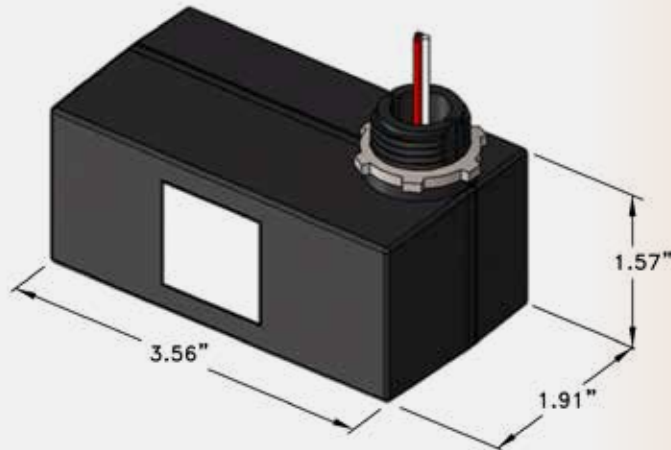


# STEPDOWN AUTOTRANSFORMER

# CONTRASTE

Designed for lighting applications to step down main voltage from 347VA to 120VA, Contrast Lighting stepdown transformer provides an easy and reliable solution. Industrial Voltage will now be easy to work with Contrast 120VA lighting fixtures.



Sold as an accessory, the stepdown transformer is UL listed to CSA C22.2 No. 66.1, 66.2 and UL5085-1, UL5085-2. Simply insert the stepdown transformer through a knock-out of the lighting fixture junction box and wire it to the input supply and the load.

## Applications

Industrial, warehousing, manufacturing, commercial

## Performance Features

- Primary Voltage 347V, 60Hz
- Full load secondary output 115V, 60VA
- Class A (105°C) maximum temperature case
- Ambient temperature -20°C to +40°C
- Easy to install on lighting fixture junction box
- High efficiency 86%

## Ordering code

SDT-60M

# CONTRASTE

### Corporate Headquarters

Contrast Lighting, 1009, rue du Parc-Industriel, Lévis, Québec G6Z 1C5 Canada

✉ [info@contrastlighting.com](mailto:info@contrastlighting.com)

🌐 [contrastlighting.com](http://contrastlighting.com)

☎ 418 839-4624 • 1 888 839-4624

📞 418 839-7057 • 1 877 839-7057