

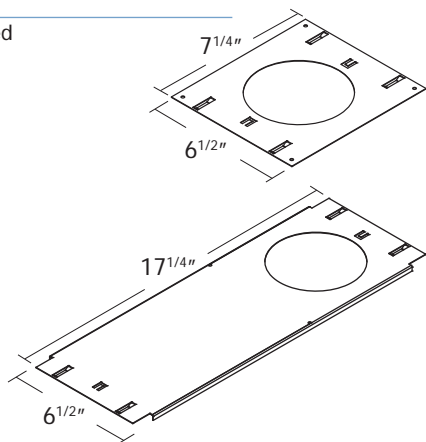
# Plates and Mounting Bars for use with «NON-IC» Type Housing

The mounting plates and mounting bars are used to facilitate the installation of the Remodel recessed fixture in a non-drywall ceiling:

- Suspended Ceiling Tiles
- Sofites
- Soft Stretch Ceilings

## Mounting Plates

Mounting bars required

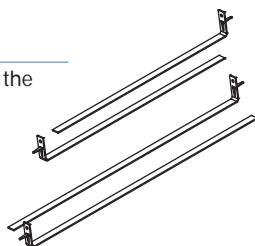


MODEL	HOLE CUT
P2000/P7000	∅ 4 <sup>3/16"</sup> (106mm)
P2550/3600	∅ 3 <sup>3/4"</sup> (96mm)
P4000	∅ 3 <sup>5/16"</sup> (84mm)
P5000	∅ 2 <sup>9/16"</sup> (65mm)

MODEL	HOLE CUT
P2000L	∅ 4 <sup>1/4"</sup> (108mm)
P2550L	∅ 3 <sup>3/4"</sup> (96mm)
P4000L	∅ 3 <sup>5/16"</sup> (84mm)
P5000L	∅ 2 <sup>9/16"</sup> (65mm)

## Adjustable Mounting Bars

Choose the mounting bars according to the distance in between the joists.



### Short Bars adjustable - 2 units

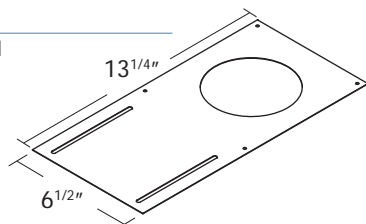
**BARS** From 13<sup>1/2"</sup> to 21<sup>3/4"</sup> (343mm to 553mm)

### Long Bars adjustable - 2 units

**BARL** From 19<sup>1/2"</sup> to 34" (495mm to 863mm)

## Mounting Plates

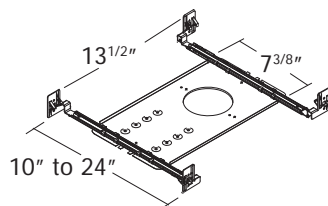
Mounting bars NOT required



MODEL	HOLE CUT
P2000N/P7000N	∅ 4 <sup>1/4"</sup> (108mm)
P2550N/3600N	∅ 3 <sup>3/4"</sup> (96mm)
P4000N	∅ 3 <sup>5/16"</sup> (84mm)
P5000N	∅ 2 <sup>9/16"</sup> (65mm)

## New Construction Mounting Plates

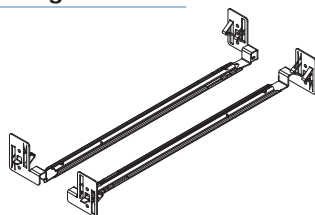
Mounting bars INCLUDED



MODEL	HOLE CUT
P2000NW/P7000NW	∅ 4 <sup>1/16"</sup> (103mm)
P2550NW	∅ 3 <sup>9/16"</sup> (90mm)
P4000NW	∅ 3 <sup>5/16"</sup> (84mm)

## New Construction Mounting Bars

Used in «NW» housings



### Interlocking adjustable Bars - 2 pairs

**BARK** From 10" to 24<sup>1/2"</sup> (254mm to 662mm)

