



# Remodel IC Air Tight GU10 Housing

3.5 inches

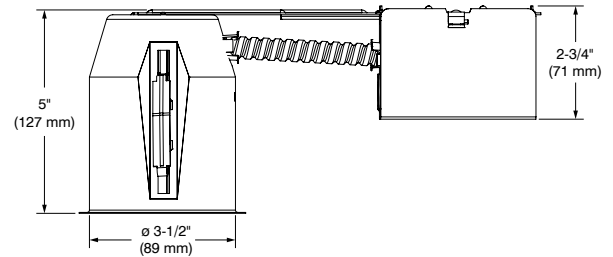
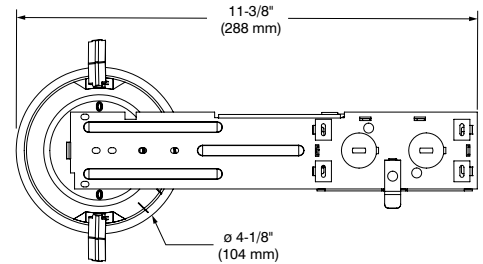
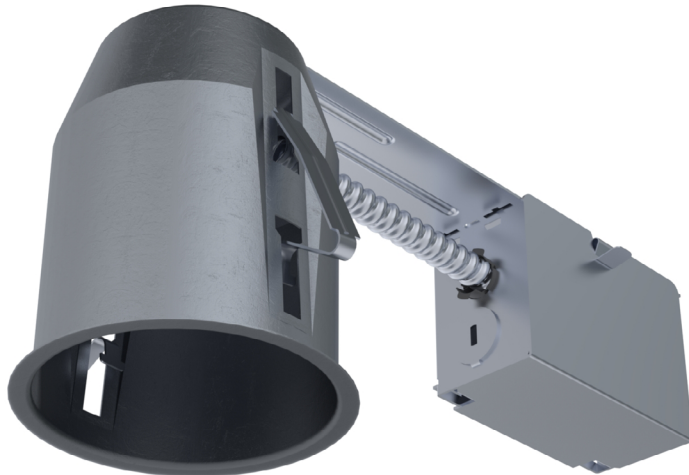
## XR35GU10-L

Project \_\_\_\_\_

Notes \_\_\_\_\_

Fixture type \_\_\_\_\_

Date \_\_\_\_\_



### SPECIFICATIONS

HOUSING DETAILS	Galvanized Steel Approved for installation in insulated ceiling with direct contact to insulating material (except polyurethane) Below-ceiling accessible
SOCKET	GU10; Twist and Lock
JUNCTION BOX	Convenient 16 <sup>3</sup> in 1/2" and 3/4" romex wiring knockouts
MOUNTING	<b>Cutout diameter: <math>\varnothing</math> 3-3/4" (96 mm)</b> Can fit in ceilings of 1/2" (13 mm) up to 1-3/8" (35 mm) thick Requires a 6" (152 mm) clearance beyond the ceiling level No light leakage
SOURCE	<b>LED GU10 Lamp 10W MAX</b>
COMPATIBLE TRIMS	X3501                  X3504 X3503                  X3505
VOLTAGE	120V/277V



## Remodel IC Air Tight GU10 Housing

3.5 inches

# XR35GU10-L



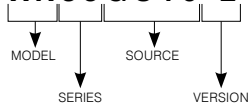
### SPECIFICATIONS (CONT'D)

CERTIFICATION ETL listed for damp locations and wet with shower trim

WARRANTY 1 year limited warranty

### CODIFICATION EXAMPLE

**XR35GU10-L**



### ORDERING CODE

MODEL	SERIES	SOURCE	VERSION
<b>XR</b>	<b>35</b>	<b>GU10</b>	<b>-L</b>
<b>XR</b> Remodel IC Housing	<b>35</b> 3-1/2" Series	<b>GU10</b> GU10	<b>-L</b>