



**New Construction IC Air tight
PAR16 / PAR20 Housing**

4 inches

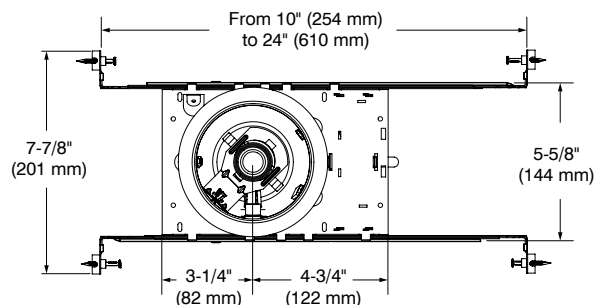
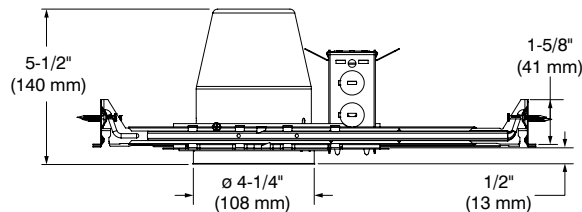
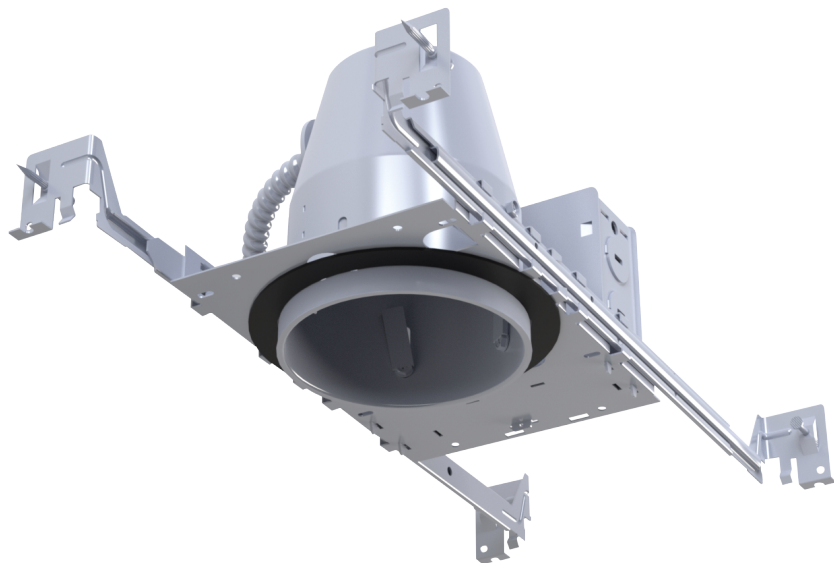
XN40PAR-L

Project _____

Notes _____

Fixture type _____

Date _____



SPECIFICATIONS

HOUSING DETAILS	Galvanized Steel Approved for installation in insulated ceiling with direct contact to insulating material (except polyurethane) Below-ceiling accessible			
SOCKET	Medium Base Socket (E26)			
JUNCTION BOX	Convenient 24 ³ in 1/2" and 3/4" romex wiring knockouts			
MOUNTING	<p>Cutout diameter: ø 4-1/4" (108 mm) Can fit in ceilings of 1/2" (13 mm) up to 1-3/8" (35 mm) thick Requires a 5-1/2" (140 mm) clearance beyond the ceiling material No light leakage</p> <p>Adjustable Mounting Bars</p> <ul style="list-style-type: none"> • 10" (254 mm) to 24" (610 mm) to fit in most ceiling structures • Contains integral nail • Hanger fit onto T-bar spline for quick alignment 			
SOURCE	<p>LED PAR16 Lamp 12W MAX LED PAR20 Lamp 12W MAX</p>			
COMPATIBLE TRIMS	<p>PAR16</p> <p>X4001 X4009 X4002</p>	<p>PAR20</p> <p>X4004 X4009 X4005</p>		
VOLTAGE	120V/277V			



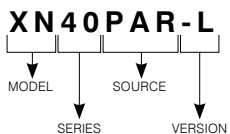
New Construction IC Air tight PAR16 / PAR20 Housing
 4 inches
XN40PAR-L



SPECIFICATIONS (CONT'D)

CERTIFICATION	ETL listed for damp locations and wet with shower trim
WARRANTY	1 year limited warranty

CODIFICATION EXAMPLE



ORDERING CODES

MODEL	SERIES	SOURCE	VERSION
XN	40	PAR	-L
XN New Construction IC Housing	40 4" Series	PAR PAR16 PAR20	-L