



# Pot Lights for LED Lamps

4 inches

## X4004

Project \_\_\_\_\_

Notes \_\_\_\_\_

Fixture type \_\_\_\_\_

Date \_\_\_\_\_

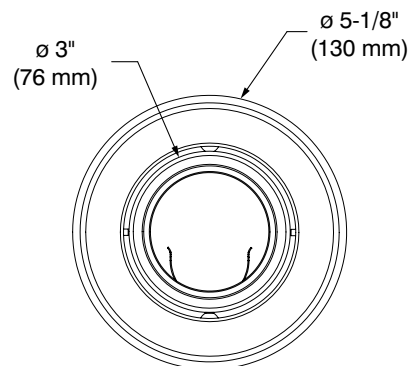
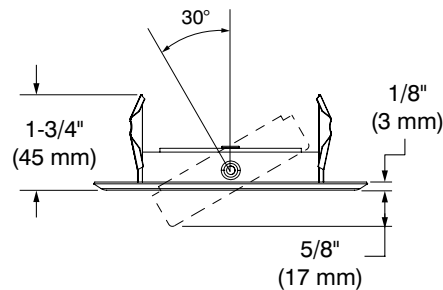
Adjustable Trim



X4004-11-L (Illustrated)

### SPECIFICATIONS

TRIM DETAILS	Powder coat painted or plated die-formed steel. Different finishes available.
ADJUSTABILITY	Tilt: 30°
LAMPS (maximum wattage)	<b>PAR20 LED 12W MAX</b>  If you want to use the dimming option, please refer regularly to the lamp manufacturer compatibility list.
CEILING CUTOUT	<b>ø 4-1/4" (108 mm)</b> <b>ø 4-3/8" (110 mm) — With Remodel Housing</b>
CERTIFICATION	ETL listed for damp location
WARRANTY	1 year limited warranty



### COMPATIBLE HOUSINGS

Remodel IC Air Tight Housing	New Construction IC Air Tight Housing	Insulated IC Air Tight Housing
XR40PAR-L	XN40PAR-L	XIC40PAR-L



## Pot Lights for LED Lamps

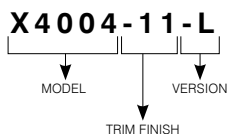
4 inches

# X4004

### Adjustable Trim



#### CODIFICATION EXAMPLE



#### ORDERING CODES

MODEL	TRIM FINISHES	VERSION
<b>X4004</b>		<b>-L</b>
<b>X4004</b> Adjustable Trim	<b>-11</b> Matte White <b>-13</b> Satin Nickel <b>-22</b> Matte Black	<b>-L</b>