



Pot Lights for LED Lamps

3.5 inches

X3504

Project _____

Notes _____

Fixture type _____

Date _____

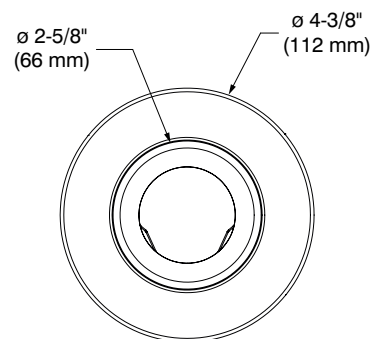
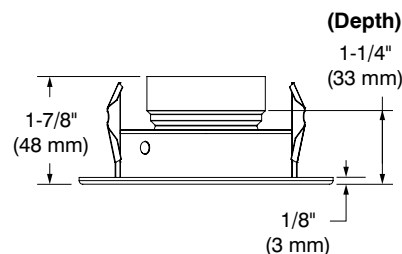
Downlight Regressed Trim with Haze Reflector



X3504-11-L (Illustrated)

SPECIFICATIONS

TRIM DETAILS	Powder coat painted or plated die-formed steel. Different finishes available.
LAMPS (maximum wattage)	GU10 LED 10W MAX If you want to use the dimming option, please refer regularly to the lamp manufacturer compatibility list.
REFLECTOR	Haze
CEILING CUTOUT	ø 3-3/4" (96 mm)
CERTIFICATION	ETL listed for damp locations
WARRANTY	1 year limited warranty



COMPATIBLE HOUSINGS

Remodel IC Air Tight Housing	New Construction IC Air Tight Housing	Insulated IC Air Tight Housing
XR35GU10-L	XN35GU10-L	XIC35GU10-L



Pot Lights for LED Lamps

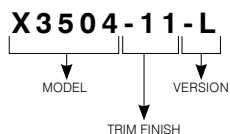
3.5 inches

X3504

Downlight Regressed Trim with Haze Reflector



CODIFICATION EXAMPLE



ORDERING CODES

MODEL	TRIM FINISHES	VERSION
X3504		-L
X3504	Downlight Regressed Trim with Haze Reflector	
	-11 Matte White	-L
	-13 Satin Nickel	
	-22 Matte Black	