



# Pot Lights for LED Lamps

3.5 inches

## X3503

Project \_\_\_\_\_

Notes \_\_\_\_\_

Fixture type \_\_\_\_\_

Date \_\_\_\_\_

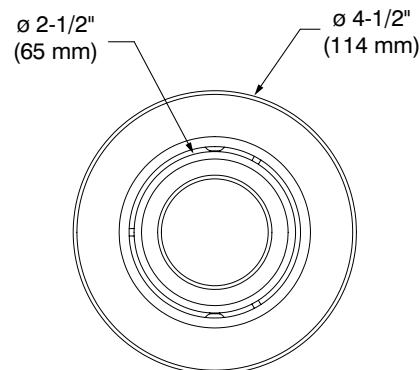
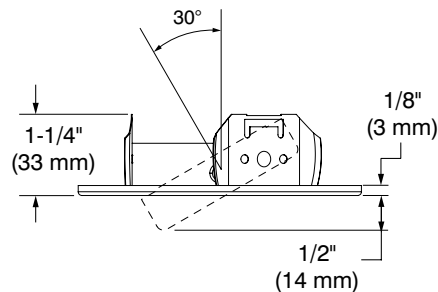
Adjustable Trim



X3503-13-L (Illustrated)

### SPECIFICATIONS

TRIM DETAILS	Powder coat painted or plated die-formed steel. Different finishes available.
ADJUSTABILITY	Tilt: 30°
LAMPS (maximum wattage)	<b>GU10 LED 10W MAX</b>  If you want to use the dimming option, please refer regularly to the lamp manufacturer compatibility list.
CEILING CUTOUT	<b>ø 3-3/4" (96 mm)</b>
CERTIFICATION	ETL listed for damp locations
WARRANTY	1 year limited warranty



### COMPATIBLE HOUSINGS

Remodel IC Air Tight Housing	New Construction IC Air Tight Housing	Insulated IC Air Tight Housing
XR35GU10-L	XN35GU10-L	XIC35GU10-L



## Pot Lights for LED Lamps

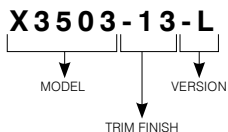
3.5 inches

# X3503

### Adjustable Trim



#### CODIFICATION EXAMPLE



#### ORDERING CODES

MODEL	TRIM FINISHES	VERSION
<b>X3503</b>		<b>-L</b>
<b>X3503</b> Adjustable Trim	<b>-11</b> Matte White <b>-13</b> Satin Nickel <b>-22</b> Matte Black	<b>-L</b>