

# Stram

## LED Recessed Downlight

Project \_\_\_\_\_

Notes \_\_\_\_\_

Fixture Type \_\_\_\_\_

Date \_\_\_\_\_



STRAM-Wx-30  
(Illustrated)



STRAMP-Wx-30  
(Illustrated)

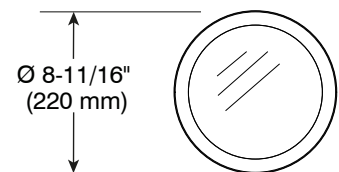
### Only available in the Americas.

Unique recessed downlight with various features. With a standard lens and several LED performance options, Stram provides low glare lighting. Furthermore, with its prismatic lens version, Stram provides an attractive and effective visual effect.



## SPECIFICATIONS

COLOR TEMPERATURE	3,000K
CRI	90 +
VOLTAGE	120V-277V Line Voltage
LIFESPAN	50,000 hours
PERFORMANCE	<b>Performance 1:</b> 20W - 2,040 lumens <b>Performance 2:</b> 31W - 3,140 lumens <b>Performance 3:</b> 39W - 3,930 lumens ies file available on <a href="http://www.contrastlighting.com">www.contrastlighting.com</a>
TRIM MATERIAL	Painted aluminum
LENS	PMMA (Polymethyl Methacrylate) STRAM: Frosted Lens      STRAMP: Prismatic Lens
BEAM ANGLE	STRAM: 103°      STRAMP: 87°
UGR	STRAM: 21.2 - 24.5      STRAMP: 17.7 - 21
CEILING CUTOUT	Ø 8-1/8" (205 mm)
DIMMING	<b>Performance 1:</b> ELV, 0-10V <b>Performance 2:</b> ELV, 0-10V <b>Performance 3:</b> ELV, 0-10V We invite you to consult frequently our Web site to find our suggested compatible dimmers (ELV) list: <a href="http://www.contrastlighting.com">www.contrastlighting.com</a>
CERTIFICATION	cULus <b>E343977</b> Certification for damp locations
WARRANTY	2 years



# CONTRASTE

2018-07  
Revision 1

PRINTED IN CANADA

1009, rue du Parc Industriel  
Lévis (Québec) G6Z 1C5 Canada  
Tel.: 1-888-839-4624  
Fax.: 1-877-839-7057  
[contrastlighting.com](http://contrastlighting.com)  
[info@contrastlighting.com](mailto:info@contrastlighting.com)

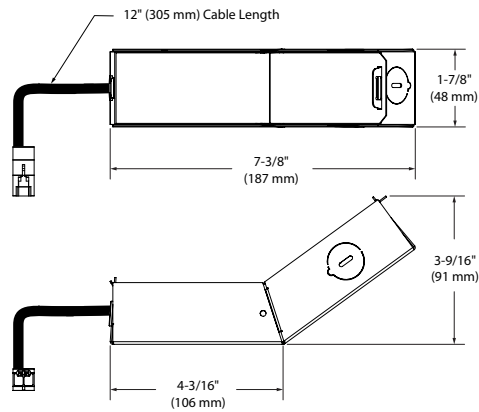
© 2018 Contraste Lighting M.L. Inc.  
All rights reserved

Contrast Lighting M.L. Inc. reserves the right to make changes in specifications and/or to discontinue any product at any time without notice or obligation and will not be liable for any consequences resulting from the use of this publication.

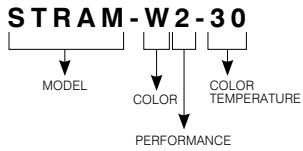
# Stram

## LED Recessed Downlight

### JUNCTION BOX (INCLUDED)



### STRAM CODIFICATION EXAMPLE



### ORDERING CODE for Stram

MODEL		COLOR	PERFORMANCE	COLOR TEMPERATURE
		<b>W</b>		<b>30</b>
<b>STRAM</b>	Frosted Lens	<b>W</b> Matte White	<b>1</b> 2,040 lumens	<b>30</b> 3,000K
<b>STRAMP</b>	Prismatic Lens		<b>2</b> 3,140 lumens	
			<b>3</b> 3,930 lumens	