

## SPECIFICATION SHEET

**REHE**

6" Series — HEXALED 2.0

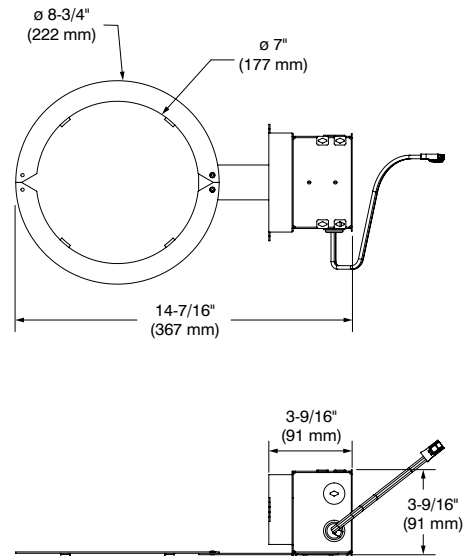
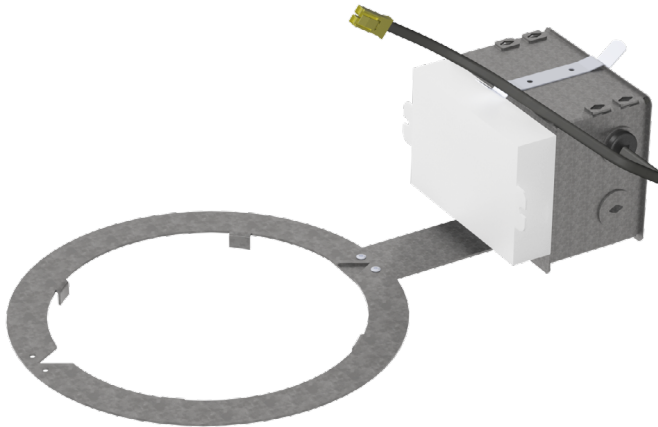
**Remodel Housing**

Project \_\_\_\_\_

Notes \_\_\_\_\_

Fixture type \_\_\_\_\_

Date \_\_\_\_\_

**SPECIFICATIONS**

HOUSING DETAILS	Galvanized steel housing. Junction box can support up to 10 - 14 gauge wires or 8 - 12 gauge wires (90° wires). Below-ceiling accessible.	
MOUNTING AND SUPPORT	<b>Ceiling Cutout: <math>\varnothing</math> 7-1/4" (184 mm)</b> Requires a 6-3/4" (172 mm) clearance beyond the ceiling level. Insulation material must be kept at least 3" (76 mm) away from the fixture. Can fit in ceiling up to 1-1/2" (38 mm) thick. Perfect fit into ceiling. No light leak.	
VOLTAGE	120V/277V — 347V	
DRIVER (OPTIONS)	<b>PERFORMANCE 20W, 28W, 36W</b> 20W (2,390 lumens) 28W (3,280 lumens) 36W (4,190 lumens) <u>3 types of dimming offered:</u> <ul style="list-style-type: none"> <li>• Electronic Low Voltage (ELV) (not dimmable on 277V)</li> <li>• 0-10V (Sinking Control)</li> <li>• Lutron Hi-Lume "A-Series" LED Driver with Eco System Control (CCR)</li> </ul>	<b>PERFORMANCE 50W</b> 50W (5,340 lumens) <u>2 types of dimming offered:</u> <ul style="list-style-type: none"> <li>• Electronic Low Voltage (ELV) (not dimmable on 277V)</li> <li>• 0-10V (Sinking Control)</li> </ul>
	Due to constant evolution of LED lamps and associate dimmers we must test them regularly. We invite you to consult frequently our Web site to find our dimmer compatibility list: <a href="http://www.contrastlighting.com">www.contrastlighting.com</a>	

**CONTRASTE**

SPECIFICATION SHEET

# REHE

6" Series — HEXALED 2.0

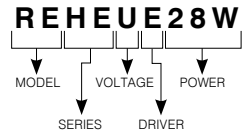
## Remodel Housing



### SPECIFICATIONS (CONT'D)

COMPATIBLE TRIMS	HEF-xx (fixed) HED-xx (adjustable)	HE10D-xx (adjustable)
CERTIFICATION	<ul style="list-style-type: none"> <li>cULus <b>E343977</b> for damp locations</li> <li>Energy Star certified</li> </ul>	
WARRANTY	5-year limited on LED driver	

### CODIFICATION EXAMPLE



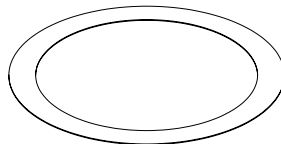
### ORDERING CODES

MODEL	SERIES	VOLTAGE	DRIVER	POWERS
<b>RE</b>	<b>HE</b>			
<b>RE</b> Remodel Housing	<b>HE</b> HexaLED	<b>U</b> Universal (120V/277V)	<b>E</b> ELV (not dimmable on 277V) <b>D</b> 0-10V (Sinking Control) <b>A</b> Lutron Hi-Lume "A-Series", Eco System (CCR) (not available in 50W)	<b>20W</b> 2,390 lumens <b>28W</b> 3,280 lumens <b>36W</b> 4,190 lumens <b>50W</b> 5,340 lumens
		<b>3</b> 347V	<b>D</b> 0-10V (Sinking Control)	<b>20W</b> 2,390 lumens <b>28W</b> 3,280 lumens <b>36W</b> 4,190 lumens <b>50W</b> 5,340 lumens

### GOOF RINGS

Goof rings will help you fix larger than necessary or damaged ceiling cutouts.

- Code: **RR7-01** (white)  
**RR7-11** (matte white)  
**RR7-22** (matte black)  
**RR7-25** (polar grey)



Outside diameter: ø 9" (229 mm)  
 Inside diameter: ø 7-1/4" (184 mm)