

# RELD200

4" Series - Concerto LED

Project	
Notes	
Fixture Type	
Date	

## Remodel Non-IC Housing

### SPECIFICATIONS

**HOUSING DETAILS** Galvanized steel and aluminum housing to optimize heat dissipation, of a thickness up to 18 gauge (0,051" / 1,3 mm).  
Junction box can support up to 10 - 14 gauge wires or 8 - 12 gauge wires (90° wires).  
Below-ceiling accessible.

**MOUNTING** **Cutout diameter: Ø 4-1/4" (108 mm)**  
Requires a 7" (178 mm) clearance beyond the ceiling level.  
Must be installed 3" (73 mm) from any insulating material.  
Patented hook (PAT#CAN 2,088,648 and #USA 5,377,088) for ease of installation and a perfect fit to ceiling.  
No light leakage.  
Can fit ceilings up to 7/8" (22 mm) thick.

**PERFORMANCE** **Performance 1:** 1,500 lumens (16W)  
**Performance 2:** 2,000 lumens (23W)

**POWER** **ELV:** 120V only  
**0-10V:** Dual Voltage 120V / 277V

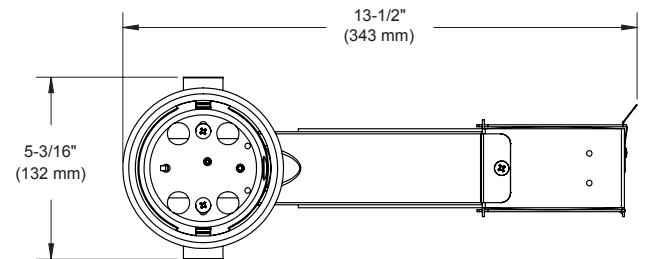
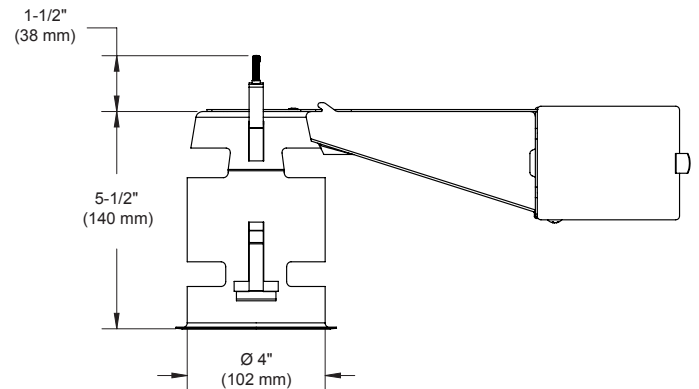
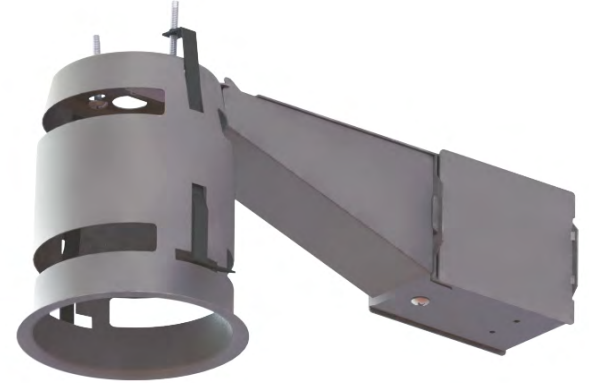
**DIMMING** 2 types of dimming offered:  
• Electronic Low Voltage (ELV)  
• 0-10V  
  
Due to constant evolution of dimmers we must test them regularly.  
We invite you to consult frequently our Web site to find our dimmer compatibility list: [www.contrastlighting.com](http://www.contrastlighting.com)

COMPATIBLE TRIMS	Performance 1		Performance 2	
	16W		23W	
	LD2A	LD2E	LD2A	LD2E
	LD2B	LD2F	LD2B	LD2F
	LD2C	LD2J	LD2C	LD2J
	LD2D	LD2K	LD2D	LD2K

**THERMAL PROTECTION** Performance 1: TC 149°F (65°C)  
Performance 2: TC 176°F (80°C)

**CERTIFICATION** cULus **E343977** for damp and wet locations

**WARRANTY** 5 years on LED driver.

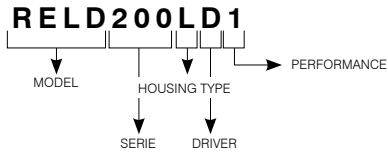


# CONTRASTE

# RELD200

4" Series - Concerto LED

## CODIFICATION EXAMPLE



## ORDERING CODES

MODEL		SERIE		HOUSING TYPE		DRIVER		PERFORMANCE	
<b>RELD</b>		<b>200</b>		<b>L</b>					
<b>RELD</b>	Remodel Non-IC Housing	<b>200</b>	200 Series	<b>L</b>	Long	<b>*V</b>	ELV - 120V Only	<b>1</b>	16W
						<b>D</b>	0-10V - Dual Voltage (120V / 277V)	<b>2</b>	23W

Performance 1 and 2 housings are compatible with performance 2 trims.



# CONTRASTE