

SPECIFICATION SHEET

REA2V

2.5" Series - Ardito

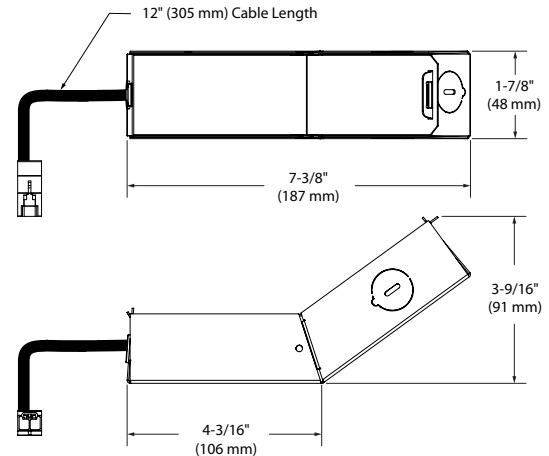
Remodel Housing

Project _____

Notes _____

Fixture type _____

Date _____



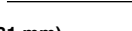

SPECIFICATIONS

HOUSING DETAILS

Galvanized steel housing.
Junction box can support up to 10 - 14 gauge wires or 8 - 12 gauge wires (90° wires).
Below-ceiling accessible.

MOUNTING AND SUPPORT

Flanged Trim Round Cutout diameter: ϕ 2-5/8" (67 mm)
Flanged Trim Square Cutout: 2-5/8" (67 mm) x 2-5/8" (67 mm)

Flangeless Trim Round Cutout diameter: ϕ 3-3/16" (81 mm)  (Mud-in-plate sold separately)
Flangeless Trim Square Cutout: 3-3/16" (81 mm) x 3-3/16" (81 mm) 

Optional : Reusable steel cutout template for square trim (**TEMP-SQ**)

Consult trims specification sheets for plenum space requirements.
Can fit in ceiling from 1/2" (12 mm) to 1-3/8" (35 mm) thick.
Insulation material must be kept at least 3" (76 mm) away from the fixture.

PERFORMANCE

Performance 1: Up to 1,375 lumens (14W) Warm Dimming (WD): Up to 775 lumens (14W)
Consult trims specification sheets for complete details.

POWER

120V - 277V

DIMMING

2 types of dimming offered all within the same unit:

- Electronic Low Voltage (ELV) (120V only)
- 0-10V (120V/277V)

Due to constant evolution of dimmers we must test them regularly.

We invite you to consult frequently our Web site to find our suggested compatible dimmers list: www.contrastlighting.com

COMPATIBLE TRIMS

Performance 1 (14W)
A2RAF A2RFR A2SAR A2SSF
A2RAR A2RSF A2SFR

CERTIFICATION

cULus **E343977** for damp and wet locations with shower trims

WARRANTY

5 years on LED driver.

CONTRASTE

2019-07
Revision 1

PRINTED IN CANADA

1009, rue du Parc Industriel
Lévis (Québec) G6Z 1C5 Canada
Tel.: 1-888-839-4624
Fax.: 1-877-839-7057
contrastlighting.com
info@contrastlighting.com

© 2019 Contrast Lighting M.L. Inc.
All rights reserved

Contrast Lighting M.L. Inc. reserves the right to make changes in specifications and/or to discontinue any product at any time without notice or obligation and will not be liable for any consequences resulting from the use of this publication.

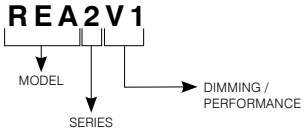
REA2V

2.5" Series - Ardito

Remodel Housing



CODIFICATION EXAMPLE




ORDERING CODES

MODEL	SERIES	DIMMING / PERFORMANCE
REA	2	V1
REA Ardito Remodel Housing	2 2-1/2" Series	V1 14W (up to 1,375 lumens) Warm Dimming (WD) — 14W (up to 775 lumens) 120V/277V 0-10V ELV (120V only)

MUD-IN-PLATE OPTION

Required with the use of flangeless trims.
(see installation instructions sheet for more details)

ROUND

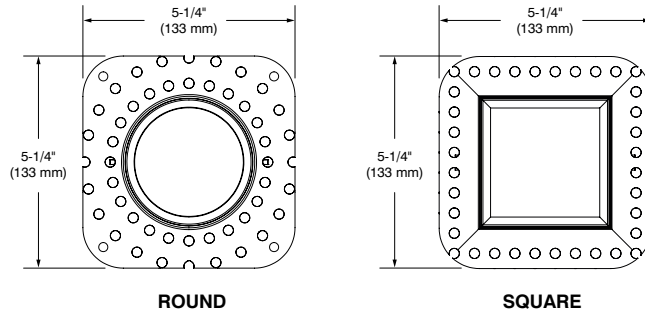
 **ø 3-3/16" (81 mm)**

Code: MIPA2R

SQUARE

 **3-3/16" (81 mm) x 3-3/16" (81 mm)**

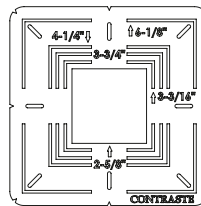
Code: MIPA2S



REUSABLE TEMPLATE OPTION

Reusable steel cutout template for square trim

Code: TEMP-SQ



REA2V

2.5" Series - Ardito

Remodel Housing



MOUNTING PLATE OPTION

Break knock-out part to widen the hole if using flangeless trim.

Code: **PA2RNV** (round)
PA2SNV (square)

ROUND



SQUARE

