

SPECIFICATION SHEET

# RE40GU10-10WQC

4" - Coastal Line

IC and Air Tight Remodel Housing for GU10 Lamp (LED)



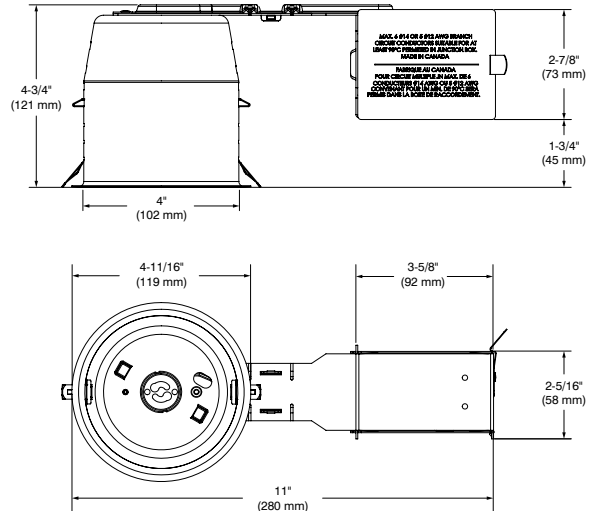
**COASTAL**  
LINE

Project \_\_\_\_\_

Notes \_\_\_\_\_

Fixture Type \_\_\_\_\_

Date \_\_\_\_\_



## SPECIFICATIONS

HOUSING DETAILS	Galvanized steel housing with E-coat painted pot + black powder coating 18 gauge up to 0.051" (1.3 mm) thickness. Flexible channel wire bracket made of 20 gauge steel, bending up to 45° vertically for ease of installation in confined spaces. 19-1/2 in <sup>3</sup> junction box can support up to 10 - 14 gauge wires or 8 - 12 gauge wires. Below-ceiling accessible.
MOUNTING AND SUPPORT	<b>Cutout diameter: ø 4-1/4" (108 mm)</b> Can fit ceilings up to 2" (51 mm) thick. Requires a 4-3/4" (121 mm) clearance beyond the ceiling level. Tool-free snap-in hooks for ease of installation and a perfect fit to ceiling. No light leakage.
LAMPS	<b>GU10 LED 10W MAX</b>
VOLTAGE	120 Volts
DIMMING	If you want to use the dimming option, please refer regularly to the lamp manufacturer compatibility list.
COMPATIBLE TRIMS	S2000      T2000
CERTIFICATION	<ul style="list-style-type: none"> <li>cULus for damp locations; wet locations for shower trims only</li> <li>Certified Air Tight ASTM E283</li> </ul>
WARRANTY	3-year limited warranty

# CONTRASTE

SPECIFICATION SHEET

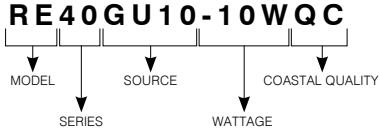
# RE40GU10-10WQC

4" - Coastal Line

IC and Air Tight Remodel Housing  
for GU10 Lamp (LED)



CODIFICATION EXAMPLE



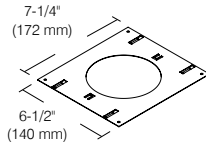
ORDERING CODES

MODEL	SERIES	SOURCE	WATTAGE	COASTAL QUALITY
<b>RE</b>	<b>40</b>	<b>GU10</b>	<b>-10W</b>	<b>QC</b>
<b>RE</b> Remodel Housing	<b>40</b> 4" Series	<b>GU10</b> GU10 LED	<b>-10W</b> 10W	<b>QC</b> Coastal Quality

MOUNTING PLATES

Ceiling cutout: **ø 4-1/4" (108 mm)**

Code: **P2000QC**



GOOF RINGS

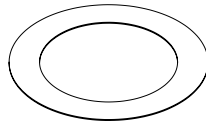
Stainless Steel goof rings correct the openings too large or damaged ceiling cutout.

Available in the following finishes : -01, -02, -11 and -22.  
Add finish color code and **QC** at the end of the goof rings code.  
Ex.: RON2000-11**QC**



For round trims  
Code: **RON2000**

Outside diameter: ø 6-1/8" (156 mm)  
Inside diameter: ø 4-1/8" (105 mm)



# CONTRASTE