

SPECIFICATION SHEET

# RE35MR16

3-1/2" - Coastal Line

Remodel Housing IC and Air Tight (10W)  
for MR16 (LED) and Halogen Lamp

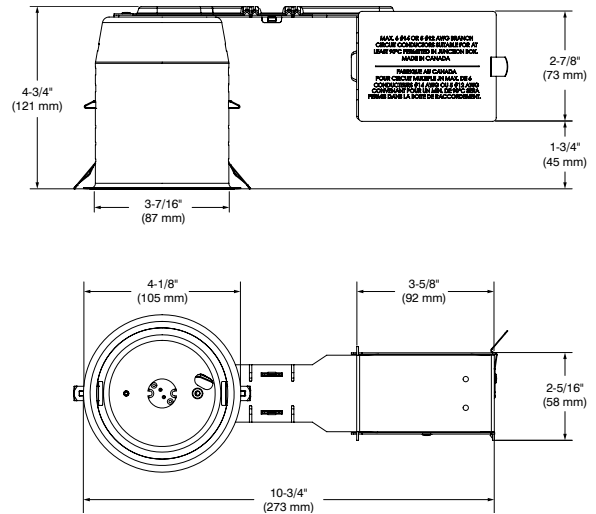


Project \_\_\_\_\_

Notes \_\_\_\_\_

Fixture Type \_\_\_\_\_

Date \_\_\_\_\_



## SPECIFICATIONS

HOUSING DETAILS	Galvanized steel housing with E-coat painted pot + black powder coating 18 gauge up to 0.051" (1.3 mm) thickness. Flexible channel wire bracket made of 20 gauge steel, bending up to 45° vertically for ease of installation in confined spaces. 19-1/2 in <sup>3</sup> junction box can support up to 10 - 14 gauge wires or 8 - 12 gauge wires. Below-ceiling accessible.
MOUNTING AND SUPPORT	<b>Cutout diameter: ø 3-5/8" (92 mm)</b> Can fit ceilings up to 2" (21 mm) thick. Requires a 4-3/4" (121 mm) clearance beyond the ceiling level. Tool-free snap-in hooks for ease of installation and a perfect fit to ceiling. No light leakage.
LAMPS	<b>MR16 LED GU5.3 10W MAX (IC &amp; AIR TIGHT)</b> <b>MR16 GU5.3 37W MAX (NOT IC &amp; NOT AIR TIGHT)</b>
VOLTAGE	120 Volts    277 Volts
TRANSFORMERS	<b>LTF Electronic Transformers</b> <b>120V-10W:</b> TA15WA12LED65B15 <b>120V-37W:</b> TA60WA12LED65B15 <b>277V-10W:</b> TE15WA12LED65B15 <b>277V-37W:</b> TE60WA12LED65B15
DIMMING	Only use ELV type. (To use the dimming option, please refer regularly to the lamp manufacturer compatibility list)
COMPATIBLE TRIMS	R3450D      T3450 T3250
CERTIFICATION	<ul style="list-style-type: none"> <li>• cULus for damp locations; wet locations for shower trims (7W) only (for LED lamps)</li> <li>• cULus for damp locations; wet locations for shower trims (20W) only (for halogen lamps)</li> <li>• Certified Air Tight ASTM E283 (10W MAX)</li> </ul>
WARRANTY	3-year limited warranty

# CONTRASTE

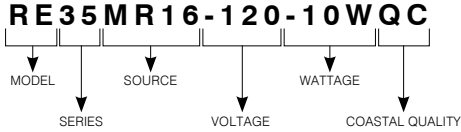
# RE35MR16

3-1/2" - Coastal Line

Remodel Housing IC and Air Tight (10W)  
for MR16 (LED) and Halogen Lamp



CODIFICATION EXAMPLE



ORDERING CODES

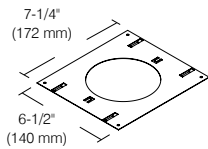
MODEL	SERIES	SOURCE	VOLTAGE	WATTAGE	COASTAL QUALITY
<b>RE</b>	<b>35</b>	<b>MR16</b>			<b>QC</b>
<b>RE</b> Remodel Housing	<b>35</b> 3-1/2" Series	<b>MR16</b> MR16 LED GU5.3 MR16 GU5.3	<b>-120</b> 120 Volts (ELV) <b>-277</b> 277 Volts (ELV)	<b>-10W</b> 10W (LED) <b>-37W</b> 37W (Halogen)*	<b>QC</b> Coastal Quality

\*Not for isolated and air tight ceiling.

MOUNTING PLATES

Ceiling cutout:  $\varnothing$  3-5/8" (92 mm)

Code: P2550/3600QC



GOOF RINGS

Stainless Steel goof rings correct the openings too large or damaged ceiling cutout.

Available in the following finishes : -01, -02, -11 and -22.  
Add finish color code and **QC** at the end of the goof rings code.  
Ex.: RON3000-11**QC**



For round trims  
Code: **RON3000**

Outside diameter:  $\varnothing$  6-1/8" (156 mm)  
Inside diameter:  $\varnothing$  3-5/8" (92 mm)

