

# NWUR3

3-1/2" - Urbai Series

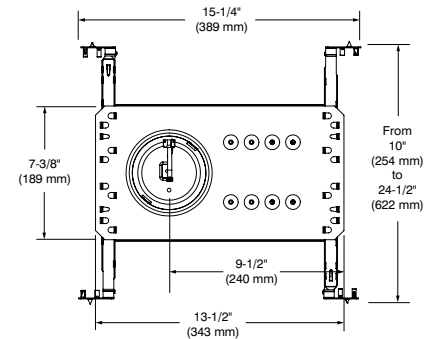
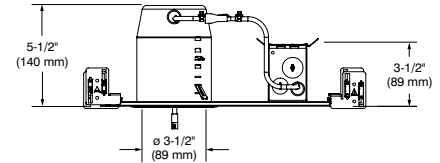
## New Construction Housing

Project \_\_\_\_\_

Notes \_\_\_\_\_

Fixture type \_\_\_\_\_

Date \_\_\_\_\_



### SPECIFICATIONS

**HOUSING DETAILS**  
 Up to 0.051 (1.3 mm) thick galvanized steel housing.  
 Approved for installation in insulated ceilings and in direct contact with insulating material (except polyurethane) on performance 1 only.  
 26-1/2 in<sup>3</sup> junction box.  
 Below-ceiling accessible.

**MONTAGE ET SUPPORT**  
**Cutout diameter: ø 3-5/8" (92 mm)**  
 Can fit ceilings up to 2" (51 mm) thick.  
 Requires a 6" (152 mm) clearance beyond the ceiling level.  
 Snap-in hooks for ease of installation and a perfect fit to ceiling.  
 Mounting bars extend from 10" (254 mm) to 24-1/2" (622 mm) to fit in most ceilings.  
 No light leakage.

**VOLTAGE**  
 120 Volts  
 277Volts  
 120 / 277 Volts (universal)

|                         |  |   |  |
|-------------------------|--|---|--|
| <b>DRIVER (OPTIONS)</b> | <p><b>Performance 1 10W (IC)</b> </p> <p>Up to 1,099 lm<br/>                 For standard (solid white) light engines</p> <p><u>2 types of dimming offered:</u></p> <ul style="list-style-type: none"> <li>• Electronic Low Voltage (ELV) (120V only)</li> <li>• 0-10V: Sourcing driver (Sinking Control 120V/277V)</li> </ul> | <p><b>Performance 2 15W Non-IC</b> </p> <p>Up to 1,432 lm<br/>                 For standard (solid white) light engines</p> <p>Up to 650 lm<br/>                 For Warm Dimming (WD)</p> <p><u>2 types of dimming offered:</u></p> <ul style="list-style-type: none"> <li>• Electronic Low Voltage (ELV) (120V only)</li> <li>• 0-10V: Sourcing driver (Sinking Control 120V/277V)</li> </ul> | <p><b>Performance 3 24W Non-IC and Non Air Tight</b></p> <p>Up to 2,148 lm<br/>                 For standard (solid white) light engines</p> <p>Up to 1,050 lm<br/>                 For Warm Dimming (WD)</p> <p><u>2 types of dimming offered:</u></p> <ul style="list-style-type: none"> <li>• Electronic Low Voltage (ELV) (120V only)</li> <li>• 0-10V: Sourcing driver (Sinking Control 120V/277V)</li> </ul> |
|-------------------------|--|---|--|

Due to constant evolution of dimmers we must test them regularly.  
 We invite you to consult frequently our Web site to find our dimmer compatibility list: [www.contrastlighting.com](http://www.contrastlighting.com)

# NWUR3


3-1/2" - Urbai Series

## New Construction Housing



### SPECIFICATIONS (CONT'D)

COMPATIBLE TRIMS  
UR3F  
UR3G  
UR3J

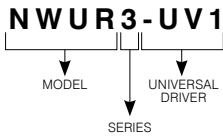
**JAB CERTIFIED (CEC)**   
UR3A  
UR3B  
UR3C  
UR3D  
UR3E

**CERTIFICATION**

- cULus **E343977** for damp locations; wet with shower trim only
- Air Tight tested in accordance with ASTM E283
- CALIFORNIA TITLE 24 (JA8-2016) - *Only available with Performance 1*

**WARRANTY**  
1 year limited warranty on components against manufacturing defects  
5-year limited warranty on LED arrays and drivers

### CODIFICATION EXAMPLE FOR UNIVERSAL HOUSING



### ORDERING CODES for Universal Housing

| MODEL                        | SERIES                 | UNIVERSAL DRIVER  |
|------------------------------|------------------------|---|
| <b>NWUR</b>                  | <b>3</b>               |   |
| <b>NWUR</b> New Construction | <b>3</b> 3-1/2" Series | <p><b>-UV1 Performance 1</b><br/>ELV (120V) 10W<br/>0-10V (120V) 10W<br/>0-10V (277V) 10W</p> <p><b>-UV2* Performance 2</b><br/>ELV (120V) 15W<br/>0-10V (120V) 15W<br/>0-10V (277V) 15W</p> <p><b>-UV3* Performance 3 (Non Air Tight)</b><br/>ELV (120V) 24W<br/>0-10V (120V) 24W<br/>0-10V (277V) 24W</p> |

Contraste suggests ordering **UV2 (0-10V/15W)** or **UV3 (0-10V/24W)** dimming type and performance to use with Warm Dimming

**\* Non-IC rated**

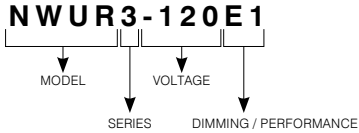
# NWUR3

3-1/2" - Urbai Series

## New Construction Housing



### CODIFICATION EXAMPLE FOR 120V



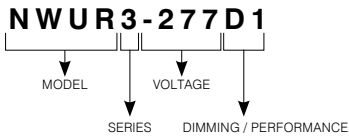
### ORDERING CODES for 120V

| MODEL                        | SERIES                 | VOLTAGE          | DIMMING / PERFORMANCE  |
|------------------------------|------------------------|------------------|--|
| <b>NWUR</b>                  | <b>3</b>               | <b>-120</b>      |  |
| <b>NWUR</b> New Construction | <b>3</b> 3-1/2" Series | <b>-120</b> 120V | <b>E1</b> ELV / 10W<br><b>E2*</b> ELV / 15W<br><b>EB2*</b> ELV (+Value) / 15W<br><b>D1</b> 0-10V / 10W —<br><b>D2*</b> 0-10V / 15W |

Contraste suggests ordering **EB2 (ELV (+ value)/15W)**, or **D2 (0-10V/15W)** dimming type and performance to use with Warm Dimming

\* Non-IC rated

### CODIFICATION EXAMPLE FOR 277V



### ORDERING CODES for 277V

| MODEL                        | SERIES                 | VOLTAGE          | DIMMING / PERFORMANCE   |
|------------------------------|------------------------|------------------|---|
| <b>NWUR</b>                  | <b>3</b>               | <b>-277</b>      |   |
| <b>NWUR</b> New Construction | <b>3</b> 3-1/2" Series | <b>-277</b> 277V | <b>D1</b> 0-10V / 10W<br><b>D2*</b> 0-10V / 15W<br><b>2*</b> Non-Dimmable / 15W |

Contraste suggests ordering **D2 (0-10V/15W)** dimming type and performance to use with Warm Dimming

\* Non-IC rated

# NWUR3

**3-1/2" - Urbai Series**

## New Construction Housing



### GOOF RINGS

Goof rings will help you fix larger than necessary or damaged ceiling cutouts.

For round trims.

**Code: RR3-01** (white)

**RR3-04BR** (brushed chrome)

**RR3-11** (matte white)

**RR3-12BR** (brushed nickel)

**RR3-13** (satin nickel)

**RR3-22** (matte black)

**RR3-25** (polar grey)

For square trims.

**Code: RS3-01** (white)

**RS3-04BR** (brushed chrome)

**RS3-11** (matte white)

**RS3-12BR** (brushed nickel)

**RS3-13** (satin nickel)

**RS3-22** (matte black)

**RS3-25** (polar grey)

Outside diameter:  $\varnothing$  6-1/8" (156 mm)

Inside diameter:  $\varnothing$  3-11/16" (94 mm)

Outside diameter: 5" (127 mm) x 5" (127 mm)

Inside diameter:  $\varnothing$  3-11/16" (94 mm)

### OPENING ADAPTOR

For round trims only.

Can lip adaptor for 3-1/2" (89 mm) pot in a 4-1/4" (108 mm) opening.

**Fini:** Galvanized Steel

**Code:** 312296

Outside diameter:  $\varnothing$  4-5/16" (110 mm)

Inside diameter:  $\varnothing$  3-5/8" (92 mm)

# CONTRASTE