

NWUR3-EM

3-1/2" - Urbai Series

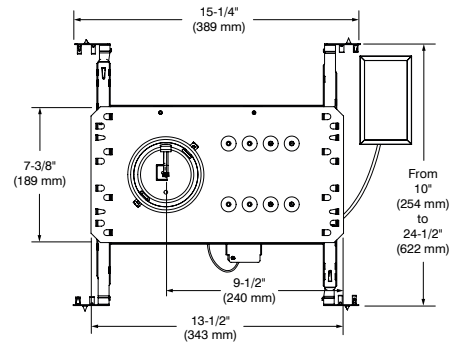
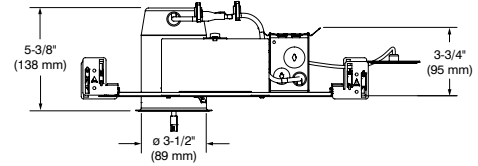
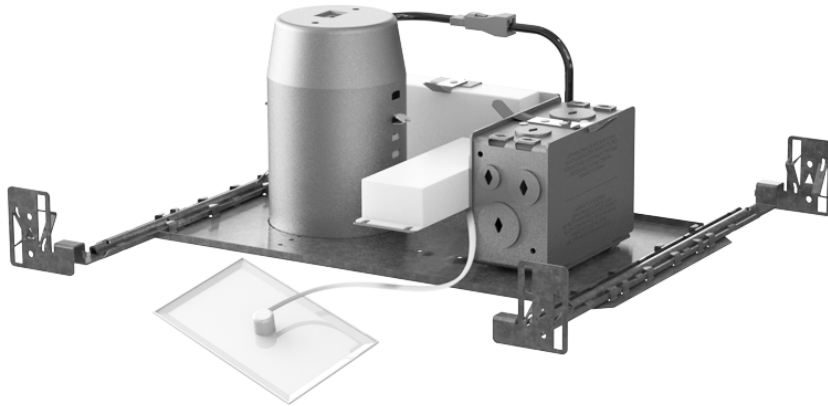
New Construction Housing with Emergency Lighting

Project _____

Notes _____

Fixture type _____

Date _____



SPECIFICATIONS

HOUSING DETAILS	Up to 0.051 (1.3 mm) thick galvanized steel housing. 26-1/2 in ³ junction box. Below-ceiling accessible.
MONTAGE ET SUPPORT	Cutout diameter: ø 3-5/8" (92 mm) Can fit ceilings up to 2" (51 mm) thick. Requires a 6" (152 mm) clearance beyond the ceiling level. Snap-in hooks for ease of installation and a perfect fit to ceiling. Mounting bars extend from 10" (254 mm) to 24-1/2" (622 mm) to fit in most ceilings. No light leakage.
BATTERY	Test button with 24" wire and decorative plate. Runtime: 120 minutes minimum Battery lifespan: 5 years
VOLTAGE	120 Volts 277Volts 120 / 277 Volts (universal)

DRIVER (OPTIONS)	Performance 1  10W Non-IC	Performance 2  15W Non-IC	Performance 3 24W Non-IC and Non Air Tight
	Up to 1,099 lm For standard (solid white) light engines <u>2 types of dimming offered:</u> • Electronic Low Voltage (ELV) (120V only) • 0-10V: Sourcing driver (Sinking Control 120V/277V)	Up to 1,432 lm For standard (solid white) light engines Up to 650 lm For Warm Dimming (WD) <u>2 types of dimming offered:</u> • Electronic Low Voltage (ELV) (120V only) • 0-10V: Sourcing driver (Sinking Control 120V/277V)	Up to 2,148 lm For standard (solid white) light engines Up to 1,050 lm For Warm Dimming (WD) <u>2 types of dimming offered:</u> • Electronic Low Voltage (ELV) (120V only) • 0-10V: Sourcing driver (Sinking Control 120V/277V)

Due to constant evolution of dimmers we must test them regularly.
We invite you to consult frequently our Web site to find our dimmer compatibility list: www.contrastlighting.com

CONTRASTE

NWUR3-EM

3-1/2" - Urbai Series

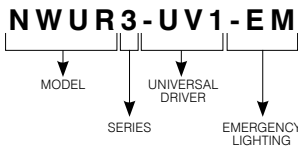
**New Construction Housing
with Emergency Lighting**



SPECIFICATIONS (CONT'D)

COMPATIBLE TRIMS	UR3A UR3B UR3C UR3D UR3E	UR3F UR3G UR3H UR3J
CERTIFICATION	<ul style="list-style-type: none"> cULus E343977 for damp locations; wet with shower trim only Air Tight tested in accordance with ASTM E283 	
WARRANTY	1 year limited warranty on components against manufacturing defects 5-year limited warranty on LED arrays and drivers	

CODIFICATION EXAMPLE FOR UNIVERSAL HOUSING



ORDERING CODES for Universal Housing

MODEL	SERIES	UNIVERSAL DRIVER	EMERGENCY LIGHTING
NWUR	3		-EM
NWUR New Construction	3 3-1/2" Series	-UV1 Performance 1 ELV (120V) 10W 0-10V (120V) 10W 0-10V (277V) 10W -UV2 Performance 2 ELV (120V) 15W 0-10V (120V) 15W 0-10V (277V) 15W -UV3 Performance 3 (Non Air Tight) ELV (120V) 24W 0-10V (120V) 24W 0-10V (277V) 24W	-EM Emergency Lighting

Contraste suggests ordering **UV2 (0-10V/15W)** or **UV3 (0-10V/24W)** dimming type and performance to use with Warm Dimming

NWUR3-EM

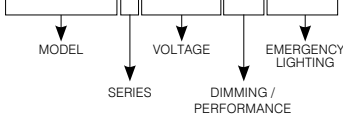
3-1/2" - Urbai Series

**New Construction Housing
with Emergency Lighting**



CODIFICATION EXAMPLE FOR 120V

NWUR3-120E1-EM



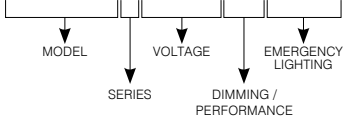
ORDERING CODES for 120V

MODEL	SERIES	VOLTAGE	DIMMING / PERFORMANCE	EMERGENCY LIGHTING
NWUR	3	-120		-EM
NWUR New Construction	3 3-1/2" Series	-120 120V	E1 ELV / 10W E2 ELV / 15W EB2 ELV (+Value) / 15W D1 0-10V / 10W D2 0-10V / 15W	-EM Emergency Lighting

Contraste suggests ordering **EB2 (ELV (+ value)/15W)**, or **D2 (0-10V/15W)** dimming type and performance to use with Warm Dimming

CODIFICATION EXAMPLE FOR 277V

NWUR3-277D1-EM



ORDERING CODES for 277V

MODEL	SERIES	VOLTAGE	DIMMING / PERFORMANCE	EMERGENCY LIGHTING
NWUR	3	-277		-EM
NWUR New Construction	3 3-1/2" Series	-277 277V	D1 0-10V / 10W D2 0-10V / 15W 2 Non-Dimmable / 15W	-EM Emergency Lighting

Contraste suggests ordering **D2 (0-10V/15W)** dimming type and performance to use with Warm Dimming

CONTRASTE

NWUR3-EM

3-1/2" - Urbai Series**New Construction Housing
with Emergency Lighting**

GOOF RINGS

Goof rings will help you fix larger than necessary or damaged ceiling cutouts.

For round trims.

Code: RR3-01 (white)

RR3-04BR (brushed chrome)

RR3-11 (matte white)

RR3-12BR (brushed nickel)

RR3-13 (satin nickel)

RR3-22 (matte black)

RR3-25 (polar grey)

For square trims.

Code: RS3-01 (white)

RS3-04BR (brushed chrome)

RS3-11 (matte white)

RS3-12BR (brushed nickel)

RS3-13 (satin nickel)

RS3-22 (matte black)

RS3-25 (polar grey)

Outside diameter: \varnothing 6-1/8" (156 mm)

Inside diameter: \varnothing 3-11/16" (94 mm)

Outside diameter: 5" (127 mm) x 5" (127 mm)

Inside diameter: \varnothing 3-11/16" (94 mm)

OPENING ADAPTOR

For round trims only.

Can lip adaptor for 3-1/2" (89 mm) pot in a 4-1/4" (108 mm) opening.

Fini: Galvanized Steel

Code: 312296

Outside diameter: \varnothing 4-5/16" (110 mm)

Inside diameter: \varnothing 3-5/8" (92 mm)

CONTRASTE