

# NW3000LM

3-1/2" 3000 Series

## Long New Construction Housing with Magnetic Transformer

### SPECIFICATIONS

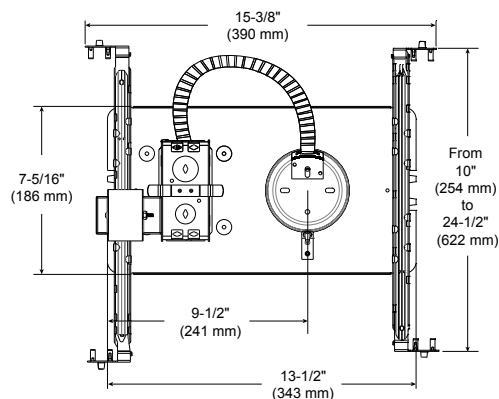
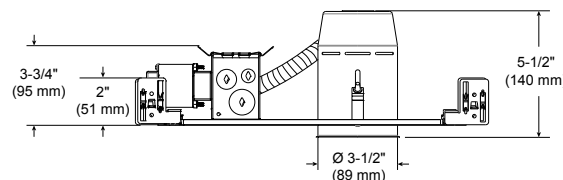
HOUSING DETAILS	18 gauge 0,051" (1,3 mm) thickness galvanized steel. Junction box can support up to 10 – 14 gauge wires or 8 – 12 gauge wires. Below-ceiling accessible.					
MOUNTING	<b>Cutout diameter: Ø 3-5/8" (92 mm)</b> Can fit in ceilings up to 1-1/2" (38 mm) thick. Requires a 5-1/2" (140 mm) clearance beyond the ceiling level. Must be installed 3" (73 mm) from any insulating material. Mounting bars extend from 10" (254 mm) to 24-1/2" (622 mm) to fit in most ceiling structures (compatible with suspended ceilings). No light leakage.					
LAMP	<b>MR16 GU 5.3</b> 42-50W MAX This product was designed for a MR16 halogen lamp. If you want to use dimming and you replace MR16 lamp by an equivalent LED MR16 lamp, please refer regularly to the lamp manufacturer dimmer compatibility list.					
VOLTAGE	NW3000LM: 120 Volts (CAN & USA) NW3000LM2: 277 Volts (USA) NW3000LM3: 347 Volts (CAN)					
TRANSFORMER	<b>Magnetic Transformer</b> 120V/12V - 50VA — 277V/12V - 50VA — 347V/12V - 50VA					
COMPATIBLE TRIMS	<b>42W MR16 GU 5.3</b>	<b>50W MR16 GU 5.3</b>				
	S3450D	R3151 R3151K R3151W R3151WK R3152 R3171 R3450D R3470	R3652 S3145 S3151 S3400 S3450 T3000 T3100 T3125	T3145 T3145DG T3145D T3145W T3152 T3165 T3185 T3200	T3250 T3250DG T3260 T3300 T3400 T3450 T3450D	T3450K T3450W T3450WK T3650 T3652 T3850
THERMAL PROTECTION	TC 248°F (120°C)					
CERTIFICATION	cULus <b>E174023</b> for damp locations.					
WARRANTY	5 years on socket and 10 years on magnetic transformer.					

Project \_\_\_\_\_

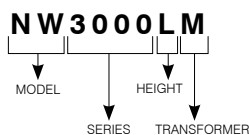
Notes \_\_\_\_\_

Fixture Type \_\_\_\_\_

Date \_\_\_\_\_



### CODIFICATION EXAMPLE



### ORDERING CODE

MODEL	SERIES	HEIGHT	TRANSFORMER	VOLTAGE
<b>NW</b>	<b>3000</b>	<b>L</b>	<b>M</b>	
<b>NW</b> New Construction	<b>3000</b> 3-1/2" Series	<b>L</b> Long	<b>M</b> Magnetic	120 Volts 2 277 Volts 3 347 Volts

