

NW3000CE

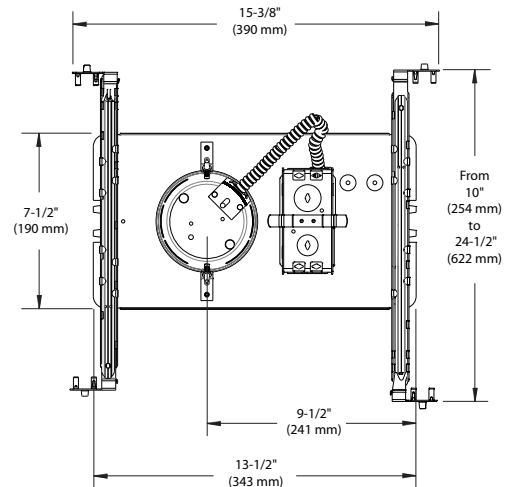
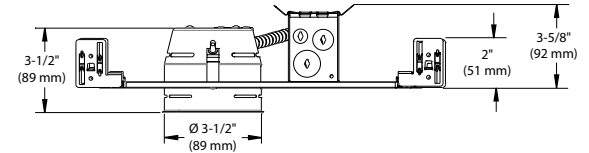
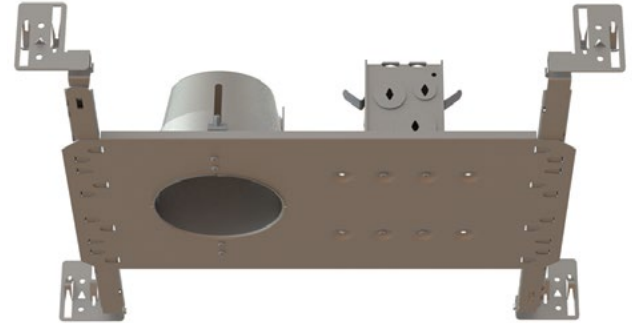
3-1/2" 3000 Series

Short New Construction Housing with Electronic Transformer

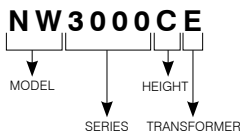
Project	
Notes	
Fixture Type	
Date	

SPECIFICATIONS

HOUSING DETAILS	18 gauge 0,051" (1,3 mm) thickness galvanized steel. Junction box can support up to 10 – 14 gauge wires or 8 – 12 gauge wires. Below-ceiling accessible.
SOCKET	Porcelain; GU 5.3 Pre-wired with 18 gauge wire Teflon 250° connected to the junction box.
MOUNTING	Cutout diameter: Ø 3-5/8" (92 mm) Can fit in ceilings up to 1-1/2" (38 mm) thick. Requires a 3-1/2" (89 mm) clearance beyond the ceiling level. Must be installed 3" (73 mm) from any insulating material. Mounting bars extend from 10" (254 mm) to 24-1/2" (622 mm) to fit in most ceiling structures (compatible with suspended ceilings). No light leakage.
LAMP	MR16 GU 5.3 35W MAX This product was designed for a MR16 halogen lamp. If you want to use dimming and you replace MR16 lamp by an equivalent LED MR16 lamp, please refer regularly to the lamp manufacturer dimmer compatibility list.
VOLTAGE	NW3000CE: 120 Volts (CAN & USA) NW3000CE2: 277 Volts (USA)
TRANSFORMER	Lightech Electronic Transformer # LET75 Model 75 VA 120V/12V — 75 VA 277V/12V
COMPATIBLE TRIMS	35W MR16 GU 5.3 T3000 T3400D T3100 T3450D T3200 T3145DG T3250 T3250DG T3260 R3450D T3300 R3470
THERMAL PROTECTION	TC 230°F (110°C)
CERTIFICATION	cULus E174023 for damp locations
WARRANTY	5 years on socket and 3 years on electronic transformer.



CODIFICATION EXAMPLE



ORDERING CODE

MODEL	SERIES	HEIGHT	TRANSFORMER	VOLTAGE
NW	3000	C	E	
NW New Construction	3000 3000 Series 3-1/2"	C Short	E Electronic	2 120 Volts 277 Volts



CONTRASTE

1009, rue du Parc Industriel
Lévis (Québec) G6Z 1C5 Canada
Tel.: 1-888-839-4624
Fax.: 1-877-839-7057
contrastlighting.com
info@contrastlighting.com

© 2017 Contrast Lighting M.L. Inc.
All rights reserved

Contrast Lighting M.L. Inc reserves the right to make changes in specifications and/or to discontinue any product at any time without notice or obligation and will not be liable for any consequences resulting from the use of this publication.