

NW2000CT-LED

4" 2000 Series - Evolution LED

IC Air Tight Short New Construction Housing for GU10 LED Lamp

Project	_____
Notes	_____
Fixture Type	_____
Date	_____

SPECIFICATIONS

HOUSING DETAILS 18 gauge 0.051" (1.3 mm) thickness galvanized steel.
 Approved for installation in insulated ceiling in direct contact with insulating material (except polyurethane).
 Air Tight.
 Junction box can support up to 10 – 14 gauge wires or 8 – 12 gauge wires.
 Below-ceiling accessible.

MOUNTING **Cutout diameter: Ø 4-1/4" (108 mm)**
 Can fit in ceilings up to 1-1/2" (38 mm) thick.
 Requires a 3-3/4" (96 mm) clearance beyond the ceiling level.
 Contrast hooks for ease of installation and a perfect fit to ceiling.
 Mounting bars extend from 10" (254 mm) to 24-1/2" (622 mm) to fit in most ceiling structures (compatible with suspended ceilings).
 No light leakage.

LAMP **GU10 LED 9.8W MAX**
 This product was designed for GU10 LED lamp. If you want to use a dimmer, please refer regularly to the lamp manufacturer dimmer compatibility list.

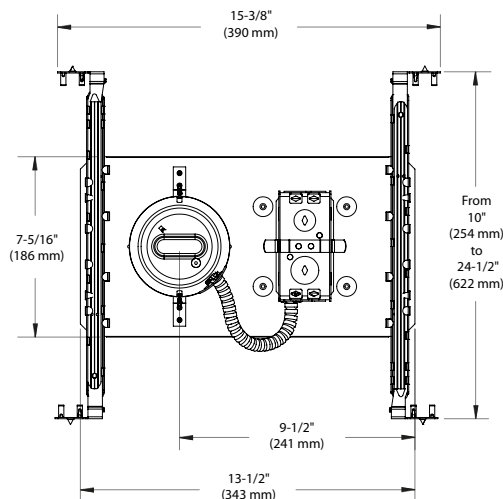
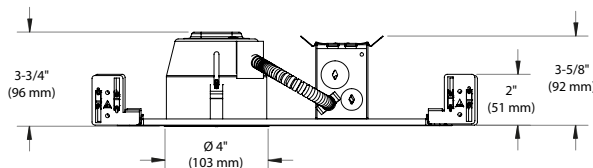
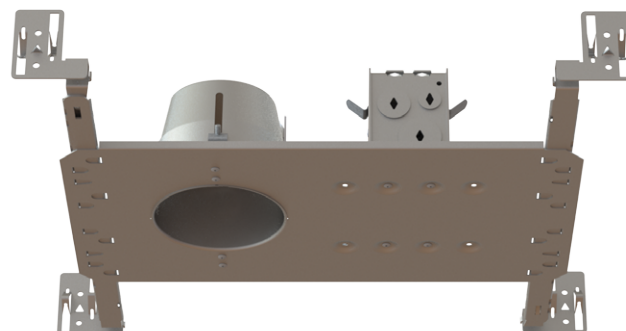
VOLTAGE 120 Volts

COMPATIBLE TRIMS R2000 R2051 T2000
 R2000DG R2100

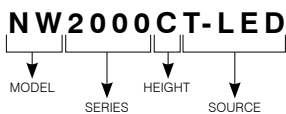
THERMAL PROTECTION TC 194°F (90°C)

CERTIFICATION • cULus **E343977** for damp locations
 • Certified Air Tight ASTM E283

WARRANTY 1 year warranty against manufacturing defects.



CODIFICATION EXAMPLE



ORDERING CODE

MODEL	SERIES	HEIGHT	SOURCE
NW	2000	C	T-LED
NW New Construction	2000 4" Series	C Short	T-LED GU10 LED Lamp

