

Concerto LED - LD3C

3-1/2" Series

Low Profile Round Shower Trim

DESCRIPTION

This series round or square trims, wide beam and frosted lens, illuminates almost entirely confined space such as a shower.

SPECIFICATIONS

COLOR TEMPERATURE	2,700K, 3,000K, 3,500K and 4,000K
CRI	80 + 90 + (only at 3,000K)
POWER SUPPLY	Several driver models available giving you 2 dimming options: ELV and 0-10V. Refer to the housing specifications sheet for more details.

LED MODULE	Bridgelux Vero 18, delivers a lumen maintenance greater than 70% after 50,000 hours of operation (L ₇₀). Provides a high quality true color and a clean white light without hot spots. Binning within 3 steps on MacAdam ellipse. Surpass ANSI binning requirements.
------------	--

DELIVERED LUMENS (Determined by the choice of housing)	Performance 1: 860 lumens, 55 lm/W Performance 2: 1,205 lumens, 53 lm/W
---	--

TRIM	Powder coated paint or plated die-formed steel. Different finishes available.
------	--

BEAM	W: Flood → 51°
------	-----------------------

LENS	Choice of lenses available: Clear (C), Frosted (F), Frosted with clear center (FC)
------	--

HEAT SINK	High quality aluminum injected heat sink ensuring maximum heat dissipation.
-----------	---

CEILING CUTOUT	ø 3-5/8" (92 mm)
----------------	------------------

COMPATIBLE HOUSINGS	Remodel Housing	New Construction Housing	Insulated Housing	
(Performance 2 trims work with either performance 1 and 2 housings.)	Performance 1 (1,500 lumens)	RELD300LD1 RELD300LV1	NWLD300LD1 NWLD300LV1	ISLD300LD1 ISLD300LV1
	Performance 2 (2,000 lumens)	RELD300LD2 RELD300LV2	NWLD300LD2 NWLD300LV2	ISLD300LD2 ISLD300LV2

For dimming, please refer to the selected housing specification sheet.

CERTIFICATION	cULus E343977 for wet locations
---------------	---

WARRANTY	1 year for standard finishes and 5 years on LED module.
----------	---

Project _____

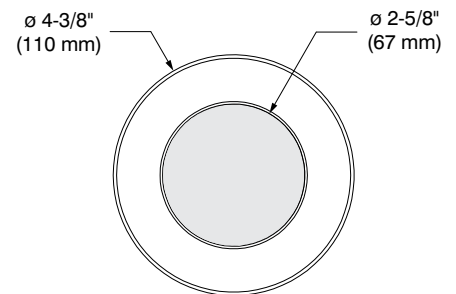
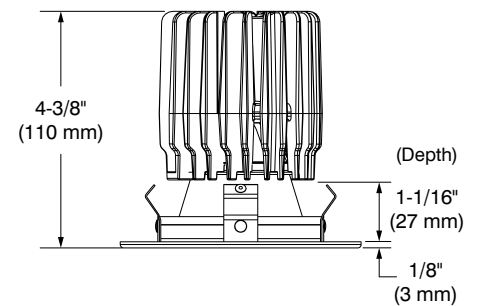
Notes _____

Fixture Type _____

Date _____



LD3CF-15
(illustrated)



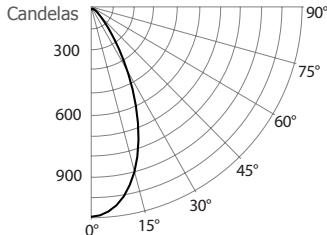
Concerto LED - LD3C

3-1/2" Series

PHOTOMETRIC DATA

3,000K, 80 + of CRI, Flood with performance 1 housing

CANDLEPOWER DISTRIBUTION



LIGHT CONE

Distance	FC	DIA
06'	27.2	5.7'
08'	15.3	7.6'
10'	9.8	9.5'
12'	6.8	11.4'
14'	5.0	13.3'
16'	3.8	15.2'

Beam: 51°
Beam Edge defined as 50% of Maximum Nadir Candle-power.

LUMINAIRE

Performance 1 LED	3,000K Flood	
CBCP / Lumens	979	/ 859
Watts	120V	277V
	15.59W	16.09W
Operating AMPS	0.13A	0.058A
Lumen Maintenance	L70 @ 50,000 Hrs	
CRI	80 +	
Lumens/Watt	55	
Spacing Criteria	0.8	
Certificate LM79-08	Based on test 475837	

COEFFICIENT OF UTILIZATION - %

Ceiling Reflect %	80			50			30		
Wall Reflect %	50	30	50	30	50	30	50	30	
RCR	0	119	119	111	111	106	106	106	
	2	103	99	98	95	95	92	92	
	4	90	85	87	83	85	81	81	
	6	80	74	78	73	76	72	72	
	8	71	65	69	64	68	64	64	
	10	64	58	62	57	62	57	57	

Zonal Cavity Method
Effective Floor Cavity Reflectance 20%

ZONAL LUMEN SUMMARY

ZONE	LUMENS	%LUMINAIRE
0-30	539	62.69%
0-40	687	79.97%
0-60	809	94.18%
60-90	50	5.82%
0-90	859	100%

MULTIPLE UNIT DATA - (RCR 2)

SPACING ON CENTER	INITIAL FOOTCANDLES	WATTS/ SQ. FT.
5'	40	0.69
6'	23	0.39
7'	16	0.27
8'	16	0.27
9'	10	0.17

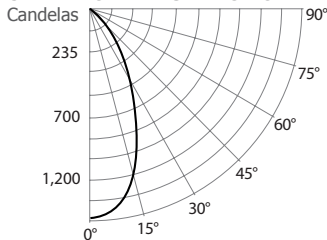
Local 38' x 38' x 10'. Workplan located 2 1/2' (30").
Reflection factor of 80%/50%/30%.

CANDELAS DISTRIBUTION

DEGREES/ VERTICAL	CANDELAS	DEGREES/ VERTICAL	CANDELAS
0	979	45	98
5	958	55	49
10	897	65	28
15	796	75	15
20	659	85	7
25	504	90	0
35	235		

3,000K, 80 + of CRI, Flood with performance 2 housing

CANDLEPOWER DISTRIBUTION



LIGHT CONE

Distance	FC	DIA
06'	38.1	5.7'
08'	21.4	7.6'
10'	13.7	9.5'
12'	9.5	11.4'
14'	7.0	13.4'
16'	5.4	15.3'

Beam: 51°
Beam Edge defined as 50% of Maximum Nadir Candle-power.

LUMINAIRE

Performance 2 LED	3,000K Flood	
CBCP / Lumens	1,370	/ 1,204
Watts	120V	277V
	22.6W	23.1W
Operating AMPS	0.19A	0.083A
Lumen Maintenance	L70 @ 50,000 Hrs	
CRI	80 +	
Lumens/Watt	53	
Spacing Criteria	0.8	
Certificate LM79-08	Base on test 475837	

COEFFICIENT OF UTILIZATION - %

Ceiling Reflect %	80			50			30		
Wall Reflect %	50	30	50	30	50	30	50	30	
RCR	0	119	119	111	111	106	106	106	
	2	100	95	95	91	92	89	89	
	4	85	79	82	77	80	76	76	
	6	74	68	72	66	70	65	65	
	8	65	59	64	58	62	57	57	
	10	58	52	57	51	56	51	51	

Zonal Cavity Method
Effective Floor Cavity Reflectance 20%

ZONAL LUMEN SUMMARY

ZONE	LUMENS	%LUMINAIRE
0-30	754	62.6%
0-40	963	79.9%
0-60	1,134	94.2%
60-90	70	5.8%
0-90	1,204	100%

MULTIPLE UNIT DATA - (RCR 2)

SPACING ON CENTER	INITIAL FOOTCANDLES	WATTS/ SQ. FT.
5'	56	0.69
6'	32	0.39
7'	22	0.27
8'	22	0.27
9'	14	0.17

Local 38' x 38' x 10'. Workplan located 2 1/2' (30").
Reflection factor of 80%/50%/30%.

CANDELAS DISTRIBUTION

DEGREES/ VERTICAL	CANDELAS	DEGREES/ VERTICAL	CANDELAS
0	1,370	45	137
5	1,341	55	68
10	1,256	65	39
15	1,114	75	21
20	923	85	10
25	706	90	0
35	328		



CONTRASTE

2019-10
Revision 3

PRINTED IN CANADA

1009, rue du Parc Industriel
Lévis (Québec) G6Z 1C5 Canada
Tel.: 1-888-839-4624
Fax.: 1-877-839-7057
contrastelighting.com
info@contrastelighting.com

© 2019 Contraste Lighting M.L. Inc.
All rights reserved

Contrast Lighting M.L. Inc. reserves the right to make changes in specifications and/or to discontinue any product at any time without notice or obligation and will not be liable for any consequences resulting from the use of this publication.

Concerto LED - LD3C

3-1/2" Series

LD3C MODEL PHOTOMETRIC DATA

With performance 1 housing

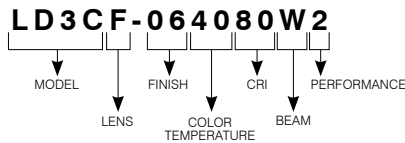
	Flood	
2,700K with 80 CRI	913.6 Lms	57.2 lm/W
3,000K with 90 CRI	715.4 Lms	44.6 lm/W
3,500K with 80 CRI	1,004 Lms	63.1 lm/W
4,000K with 80 CRI	1,023 Lms	65.2 lm/W

With performance 2 housing

	Flood	
2,700K with 80 CRI	1,128 Lms	51.3 lm/W
3,000K with 90 CRI	942 Lms	42.8 lm/W
3,500K with 80 CRI	1,270 Lms	58.1 lm/W
4,000K with 80 CRI	1,294 Lms	60.2 lm/W

* All .ies files are available on our Website.

CODIFICATION EXAMPLE



ORDERING CODES

MODEL	LENSES	TRIM FINISHES	COLOR TEMPERATURES	CRI	BEAM	PERFORMANCE
LD3C					W	2
LD3C	F Frosted	-01 White	27 2,700K	80 80+ CRI	W Flood (51°)	2
	FC Frosted with clear center	-02 Black	30 3,000K	90 90+ CRI		
	-03 24K Gold Plated	35 3,500K		(only with 3,000K)	Use with Performance 1 or Performance 2 Housings	
	C Clear	-04 Chrome	40 4,000K			
		-04BR Brushed Chrome				
		-05 Architectural Bronze				
		-06 Antique Copper				
		-11 Matte White				
		-12BR Brushed Nickel				
		-13 Satin Nickel				
		-15 Metallic Grey				