

# Concerto LED - LD2C

## 4" Series

### Low Profile Round Shower Trim

#### DESCRIPTION

This series round or square trims, wide beam and frosted lens, illuminates almost entirely confined space such as a shower.

#### SPECIFICATIONS

COLOR TEMPERATURES	2,700K, 3,000K, 3,500K and 4,000K
CRI	80 + 90 + (only at 3,000K)
POWER SUPPLY	Several driver models available giving you 2 dimming options: ELV and 0-10V. Refer to the housing specifications sheet for more details.
LED MODULE	Bridgelux Vero 18, delivers a lumen maintenance greater than 70% after 50,000 hours of operation ( $L_{70}$ ). Provides a high quality true color and a clean white light without hot spots. Binning within 3 steps on MacAdam ellipse. Surpass ANSI binning requirements.
DELIVERED LUMENS (Determined by the choice of housing)	<b>Performance 1:</b> 860 lumens, 55 lm/W <b>Performance 2:</b> 1,205 lumens, 53 lm/W
TRIM	Powder coated paint or plated die-formed steel. Different finishes available.
BEAM	<b>W:</b> Flood → 51°
LENSES	<b>Choice of available lenses:</b> Clear (C), Frosted (F), Frosted with clear center (FC)
HEAT SINK	High quality aluminum injected heat sink ensuring maximum heat dissipation.
CEILING CUTOUT	Ø 4-1/4" (108 mm)

COMPATIBLE HOUSINGS	Remodel Housing	New Construction Housing	Insulated Housing	
(Performance 2 trims work with either performance 1 and 2 housings.)	<b>Performance 1</b> (1,500 lumens)	RELD200LD1 RELD200LV1	NWLD200LD1 NWLD200LV1	ISLD200LD1 ISLD200LV1
	<b>Performance 2</b> (2,000 lumens)	RELD200LD2 RELD200LV2	NWLD200LD2 NWLD200LV2	ISLD200LD2 ISLD200LV2

For dimming, please refer to the selected housing specification sheet.

CERTIFICATION	cULus <b>E343977</b> for <b>wet locations</b>
WARRANTY	1 year for standard finishes and 5 years on LED module.

Project \_\_\_\_\_

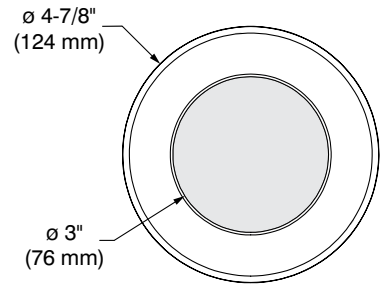
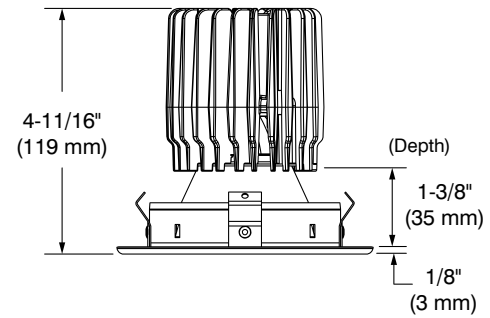
Notes \_\_\_\_\_

Fixture Type \_\_\_\_\_

Date \_\_\_\_\_



LD2CF-02 (illustrated)



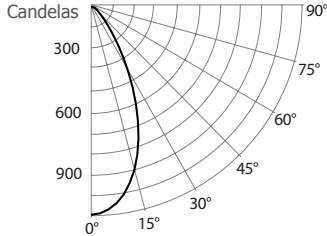
# Concerto LED - LD2C

4" Series

## PHOTOMETRIC DATA

### 3,000K, 80 + of CRI, Flood with performance 1 housing

#### CANDLEPOWER DISTRIBUTION



#### LIGHT CONE

Distance	FC	DIA
06'	27.2	5.7'
08'	15.3	7.6'
10'	9.8	9.5'
12'	6.8	11.4'
14'	5.0	13.3'
16'	3.8	15.2'

Beam: 51°  
Beam Edge defined as 50% of Maximum Nadir Candle-power.

#### LUMINAIRE

Performance 1 LED	3,000K Flood	
CBCP / Lumens	979	/ 859
Watts	120V	277V
	15.59W	16.09W
Operating AMPS	0.13A	0.058A
Lumen Maintenance	L70 @ 50,000 Hrs	
CRI	80 +	
Lumens/Watt	55	
Spacing Criteria	0.8	
Certificate LM79-08	475837	

#### COEFFICIENT OF UTILIZATION - %

Ceiling Reflect %	80			50			30		
Wall Reflect %	50	30	50	30	50	30	50	30	
RCR	0	119	119	111	111	106	106	106	
	2	103	99	98	95	95	92	92	
	4	90	85	87	83	85	81	81	
	6	80	74	78	73	76	72	72	
	8	71	65	69	64	68	64	64	
	10	64	58	62	57	62	57	57	

#### Zonal Cavity Method

Effective Floor Cavity Reflectance 20%

#### ZONAL LUMEN SUMMARY

ZONE	LUMENS	%LUMINAIRE
0-30	539	62.69%
0-40	687	79.97%
0-60	809	94.18%
60-90	50	5.82%
0-90	859	100%

#### MULTIPLE UNIT DATA - (RCR 2)

SPACING ON CENTER	INITIAL FOOTCANDLES	WATTS/SQ. FT.
5'	40	0.69
6'	23	0.39
7'	16	0.27
8'	16	0.27
9'	10	0.17

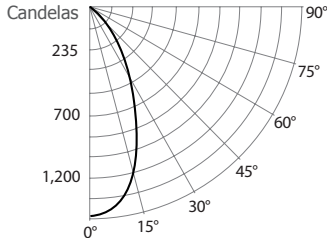
Local 38' x 38' x 10'. Workplan located 2 1/2' (30°).  
Reflection factor of 80%/50%/30%.

#### CANDELAS DISTRIBUTION

DEGREES/VERTICAL	CANDELAS	DEGREES/VERTICAL	CANDELAS
0	979	45	98
5	958	55	49
10	897	65	28
15	796	75	15
20	659	85	7
25	504	90	0
35	235		

### 3,000K, 80 + of CRI, Flood with performance 2 housing

#### CANDLEPOWER DISTRIBUTION



#### LIGHT CONE

Distance	FC	DIA
06'	38.1	5.7'
08'	21.4	7.6'
10'	13.7	9.5'
12'	9.5	11.4'
14'	7.0	13.4'
16'	5.4	15.3'

Beam: 51°  
Beam Edge defined as 50% of Maximum Nadir Candle-power.

#### LUMINAIRE

Performance 2 LED	3,000K Flood	
CBCP / Lumens	1,370	/ 1,204
Watts	120V	277V
	22.6W	23.1W
Operating AMPS	0.19A	0.083A
Lumen Maintenance	L70 @ 50,000 Hrs	
CRI	80 +	
Lumens/Watt	53	
Spacing Criteria	0.8	
Certificate LM79-08	Base on test 475837	

#### COEFFICIENT OF UTILIZATION - %

Ceiling Reflect %	80			50			30		
Wall Reflect %	50	30	50	30	50	30	50	30	
RCR	0	119	119	111	111	106	106	106	
	2	100	95	95	91	92	89	89	
	4	85	79	82	77	80	76	76	
	6	74	68	72	66	70	65	65	
	8	65	59	64	58	62	57	57	
	10	58	52	57	51	56	51	51	

#### Zonal Cavity Method

Effective Floor Cavity Reflectance 20%

#### ZONAL LUMEN SUMMARY

ZONE	LUMENS	%LUMINAIRE
0-30	754	62.6%
0-40	963	79.9%
0-60	1,134	94.2%
60-90	70	5.8%
0-90	1,204	100%

#### MULTIPLE UNIT DATA - (RCR 2)

SPACING ON CENTER	INITIAL FOOTCANDLES	WATTS/SQ. FT.
5'	56	0.69
6'	32	0.39
7'	22	0.27
8'	22	0.27
9'	14	0.17

Local 38' x 38' x 10'. Workplan located 2 1/2' (30°).  
Reflection factor of 80%/50%/30%.

#### CANDELAS DISTRIBUTION

DEGREES/VERTICAL	CANDELAS	DEGREES/VERTICAL	CANDELAS
0	1,370	45	137
5	1,341	55	68
10	1,256	65	39
15	1,114	75	21
20	923	85	10
25	706	90	0
35	328		



# Concerto LED - LD2C

## 4" Series

### LD2C MODEL PHOTOMETRIC DATA

#### With performance 1 housing

	Flood	
<b>2,700K with 80 CRI</b>	806 Lms	51 lm/W
<b>3,000K with 90 CRI</b>	688.4 Lms	43.2 lm/W
<b>3,500K with 80 CRI</b>	894.3 Lms	56.7 lm/W
<b>4,000K with 80 CRI</b>	948.8 Lms	59.3 lm/W

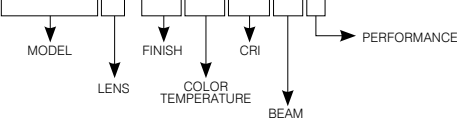
#### With performance 2 housing

	Flood	
<b>2,700K with 80 CRI</b>	1,128 Lms	52.5 lm/W
<b>3,000K with 90 CRI</b>	944 Lms	43.9 lm/W
<b>3,500K with 80 CRI</b>	1,232 Lms	57.3 lm/W
<b>4,000K with 80 CRI</b>	1,317 Lms	61.3 lm/W

\* All .ies and Lighting facts files are available on our Website.

### CODIFICATION EXAMPLE

**LD2CF-053090W2**



### ORDERING CODES

MODEL	LENSES	FINISHES	COLOR TEMPERATURES	CRI	BEAM	PERFORMANCE
<b>LD2C</b>					<b>W</b>	<b>2</b>
<b>LD2C</b>	<b>F</b> Frosted	<b>-01</b> White	<b>27</b> 2,700K	<b>80</b> 80+ CRI	<b>W</b> Flood (51°)	<b>2</b> Use with Performance 1 or Performance 2 Housings
	<b>FC</b> Frosted with clear center	<b>-02</b> Black	<b>30</b> 3,000K	<b>90</b> 90+ CRI		
	<b>-03</b> 24K Gold Plated	<b>35</b> 3,500K		(only with 3,000K)		
	<b>C</b> Clear	<b>-04</b> Chrome	<b>40</b> 4,000K			
		<b>-04BR</b> Brushed Chrome				
		<b>-05</b> Architectural Bronze				
		<b>-06</b> Antique Copper				
		<b>-11</b> Matte White				
		<b>-12BR</b> Brushed Nickel				
		<b>-13</b> Satin Nickel				
		<b>-15</b> Metallic Grey				

