

Concerto LED - LD2A

4" Series

Low Profile Round Adjustable Trim

DESCRIPTION

The adjustable round or square trims, will provide a maximum accent lighting that will be useful in various applications such as the library, kitchen, corridor, etc...

SPECIFICATIONS

COLOR TEMPERATURE	2,700K, 3,000K, 3,500K and 4,000K		
CRI	80 + 90 + (only at 3,000K)		
POWER SUPPLY	Several driver models available giving you 2 dimming options: ELV and 0-10V. Refer to the housing specifications sheet for more details.		
LED MODULE	Bridgelux Vero 18, delivers a lumen maintenance greater than 70% after 50,000 hours of operation (L_{70}). Provides a high quality true color and a clean white light without hot spots. Binning within 3 steps on MacAdam ellipse. Surpass ANSI binning requirements.		
DELIVERED LUMENS (Determined by the choice of housing)	Performance 1: 1,100 lumens, 70 lm/W Performance 2: 1,575 lumens, 68 lm/W		
TRIM	Powder coated paint or plated die-formed steel. Different finishes available.		
OPTIC SYSTEM	Interchangeable optional optical reflectors and lenses available to personalize your lighting. Protection lens covered with a high-performance film 98% effective. Lens of 1/8" (3 mm) thick and 1.9" (49 mm) Ø. Choice of available lenses: Clear (C), Frosted (F), Honeycomb (H), Linear (L), Prismatic (P) and Solite (S) Optical reflectors available: M: Narrow Flood → 27° W: Flood → 47°		
ADJUSTABILITY	Swivel: 360° 40° tilt with locking position. Choose aiming angle then tighten screws to lock into position.		
HEAT SINK	High quality aluminum injected heat sink ensuring maximum heat dissipation.		
CEILING CUTOUT	Ø 4-1/4" (108 mm)		
COMPATIBLE HOUSINGS			
		Remodel Housing	New Construction Housing
(Performance 2 trims work with either performance 1 and 2 housings.)	Performance 1 (1,500 lumens)	RELD200LD1 RELD200LV1	NWLD200LD1 NWLD200LV1
	Performance 2 (2,000 lumens)	RELD200LD2 RELD200LV2	NWLD200LD2 NWLD200LV2
			Insulated Housing
			ISLD200LD1 ISLD200LV1
			Not available
	For dimming, please refer to the selected housing specification sheet.		
CERTIFICATION	cULus E343977 for damp locations		
WARRANTY	1 year for standard finishes and 5 years on LED module.		

Project _____

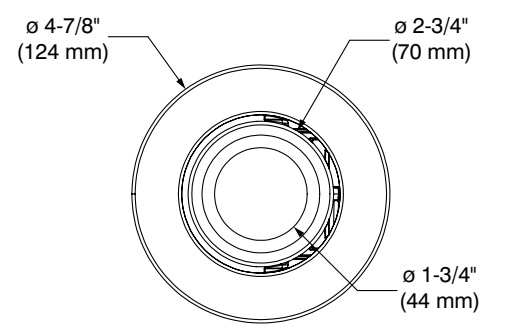
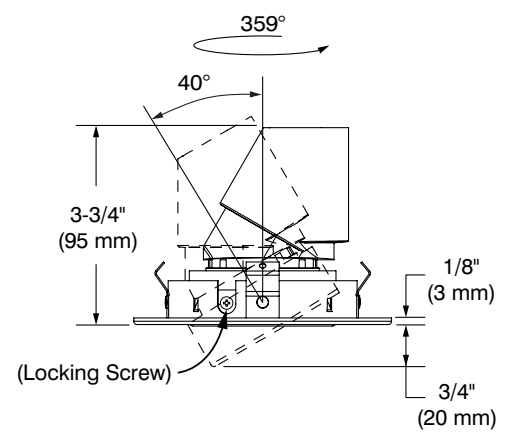
Notes _____

Fixture Type _____

Date _____



LD2AC-11 (illustrated)



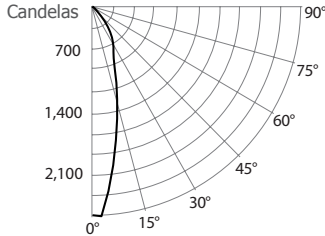
Concerto LED - LD2A

4" Series

PHOTOMETRIC DATA

3,000K, 80 + of CRI, Narrow Flood with performance 1 housing

CANDLEPOWER DISTRIBUTION



LIGHT CONE

Distance	FC	DIA
06'	68.2	3.0'
08'	38.4	4.0'
10'	24.6	5.0'
12'	17.1	5.9'
14'	12.5	6.9'
16'	9.6	7.9'

Beam: 28°
Beam Edge defined as 50% of Maximum Nadir Candle-power.

LUMINAIRE

Performance 1 LED	3,000K	Narrow Flood
CBCP / Lumens	2,456	/ 1,094
Watts	120V	277V
	16.16W	16.66W
Operating AMPS	0.13A	0.060A
Lumen Maintenance	L70 @ 50,000 Hrs	
CRI	80 +	
Lumens/Watt	67.5	
Spacing Criteria	0.5	
Certificate LM79-08	475821	

COEFFICIENT OF UTILIZATION - %

Ceiling Reflect %	80	50	30
Wall Reflect %	50	30	50
RCR	0	119	119
	111	111	106
	106	103	101
	99	98	96
	4	96	91
	93	89	91
	88	87	82
	85	81	83
	80	8	78
	74	77	73
	76	76	72
	10	71	66
	70	66	69
	65		

Zonal Cavity Method
Effective Floor Cavity Reflectance 20%

ZONAL LUMEN SUMMARY

ZONE	LUMENS	%LUMINAIRE
0-30	779	71.24%
0-40	1,004	91.76%
0-60	1,089	99.59%
60-90	4	0.41%
0-90	1,094	100%

MULTIPLE UNIT DATA - (RCR 2)

SPACING ON CENTER	INITIAL FOOTCANDLES	WATTS/SQ. FT.
5'	53	0.72
6'	30	0.4
7'	21	0.28
8'	21	0.28
9'	13	0.17

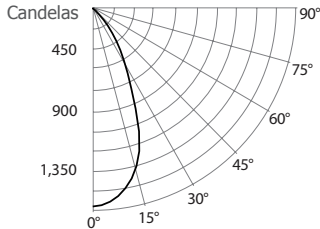
Local 38' x 38' x 10'. Workplan located 2 1/2' (30°).
Reflection factor of 80%/50%/30%.

CANDELAS DISTRIBUTION

DEGREES/VERTICAL	CANDELAS	DEGREES/VERTICAL	CANDELAS
0	2,456	45	97
5	2,186	55	4
10	1,600	65	2
15	1,130	75	2
20	773	85	0
25	589	90	0
35	367		

3,000K, 80 + of CRI, Flood with performance 1 housing

CANDLEPOWER DISTRIBUTION



LIGHT CONE

Distance	FC	DIA
06'	43.3	5.3'
08'	24.3	7.0'
10'	15.6	8.8'
12'	10.8	10.5'
14'	7.9	12.3'
16'	6.1	14.1'

Beam: 47°
Beam Edge defined as 50% of Maximum Nadir Candle-power.

LUMINAIRE

Performance 1 LED	3,000K	Flood
CBCP / Lumens	1,558	/ 1,088
Watts	120V	277V
	15.53W	16.03W
Operating AMPS	0.19A	0.058A
Lumen Maintenance	L70 @ 50,000 Hrs	
CRI	80 +	
Lumens/Watt	70.2	
Spacing Criteria	0.7	
Certificate LM79-08	475823	

COEFFICIENT OF UTILIZATION - %

Ceiling Reflect %	80	50	30
Wall Reflect %	50	30	50
RCR	0	119	119
	111	111	106
	106	103	101
	99	99	97
	4	97	92
	93	90	92
	89	6	88
	83	86	82
	84	81	8
	80	75	78
	74	77	74
	10	73	68
	71	67	71
	67		

Zonal Cavity Method
Effective Floor Cavity Reflectance 20%

ZONAL LUMEN SUMMARY

ZONE	LUMENS	%LUMINAIRE
0-30	822	75.4%
0-40	1,020	93.7%
0-60	1,085	99.6%
60-90	4	0.4%
0-90	1,088	100%

MULTIPLE UNIT DATA - (RCR 2)

SPACING ON CENTER	INITIAL FOOTCANDLES	WATTS/SQ. FT.
5'	53	0.69
6'	30	0.39
7'	21	0.27
8'	21	0.27
9'	13	0.17

Local 38' x 38' x 10'. Workplan located 2 1/2' (30°).
Reflection factor of 80%/50%/30%.

CANDELAS DISTRIBUTION

DEGREES/VERTICAL	CANDELAS	DEGREES/VERTICAL	CANDELAS
0	1,558	45	73
5	1,527	55	3
10	1,438	65	3
15	1,287	75	1
20	1,032	85	0
25	698	90	0
35	318		



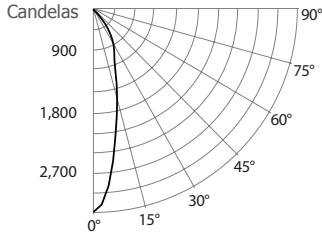
Concerto LED - LD2A

4" Series

PHOTOMETRIC DATA

3,000K, 80 + of CRI, Narrow Flood with performance 2 housing

CANDLEPOWER DISTRIBUTION



LIGHT CONE

Distance	FC	DIA
06'	88.9	2.9'
08'	50.0	3.9'
10'	32.0	4.9'
12'	22.2	5.8'
14'	16.3	6.8'
16'	12.5	7.8'

Beam: 27°
Beam Edge defined as 50% of Maximum Nadir Candle-power.

LUMINAIRE

Performance 2 LED	3,000K	Narrow Flood
CBCP / Lumens	3,200	/ 1,435
Watts	120V	277V
	23.2W	23.7W
Operating AMPS	0.13A	0.060A
Lumen Maintenance	L70 @ 50,000 Hrs	
CRI	80 +	
Lumens/Watt	61.8	
Spacing Criteria	0.4	
Certificate LM79-08	606976	

COEFFICIENT OF UTILIZATION - %

Ceiling Reflect %	80			50			30		
Wall Reflect %	50	30	50	30	50	30	50	30	
RCR	0	119	119	111	111	106	106	106	
	2	106	103	101	99	98	96	96	
	4	96	91	92	89	90	87	87	
	6	87	81	84	80	83	79	79	
	8	78	73	76	72	76	72	72	
	10	71	66	69	65	69	65	65	

Zonal Cavity Method
Effective Floor Cavity Reflectance 20%

ZONAL LUMEN SUMMARY

ZONE	LUMENS	%LUMINAIRE
0-30	1,015	70.72%
0-40	1,309	91.23%
0-60	1,427	99.49%
60-90	7	0.51%
0-90	1,435	100%

MULTIPLE UNIT DATA - (RCR 2)

SPACING ON CENTER	INITIAL FOOTCANDLES	WATTS/SQ. FT.
5'	69	1.03
6'	39	0.58
7'	27	0.4
8'	27	0.4
9'	17	0.26

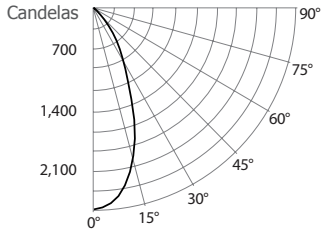
Local 38' x 38' x 10'. Workplan located 2 1/2' (30°).
Reflection factor of 80%/50%/30%.

CANDELAS DISTRIBUTION

DEGREES/VERTICAL	CANDELAS	DEGREES/VERTICAL	CANDELAS
0	3,200	45	133
5	2,801	55	8
10	2,030	65	3
15	1,462	75	3
20	1,025	85	0
25	789	90	0
35	480		

3,000K, 80 + of CRI, Flood with performance 2 housing

CANDLEPOWER DISTRIBUTION



LIGHT CONE

Distance	FC	DIA
06'	66.3	4.9'
08'	37.3	6.5'
10'	23.9	8.2'
12'	16.6	9.8'
14'	12.2	11.5'
16'	9.3	13.1'

Beam: 45°
Beam Edge defined as 50% of Maximum Nadir Candle-power.

LUMINAIRE

Performance 2 LED	3,000K	Flood
CBCP / Lumens	2,387	/ 1,569
Watts	120V	277V
	23.15W	23.65W
Operating AMPS	0.19A	0.085A
Lumen Maintenance	L70 @ 50,000 Hrs	
CRI	80 +	
Lumens/Watt	67.9	
Spacing Criteria	0.7	
Certificate LM79-08	606978	

COEFFICIENT OF UTILIZATION - %

Ceiling Reflect %	80			50			30		
Wall Reflect %	50	30	50	30	50	30	50	30	
RCR	0	119	119	111	111	106	106	106	
	2	106	103	101	99	99	97	97	
	4	96	92	93	90	91	88	88	
	6	88	83	85	82	84	81	81	
	8	79	75	78	74	77	73	73	
	10	72	67	71	67	70	66	66	

Zonal Cavity Method
Effective Floor Cavity Reflectance 20%

ZONAL LUMEN SUMMARY

ZONE	LUMENS	%LUMINAIRE
0-30	1,168	74.42%
0-40	1,462	93.15%
0-60	1,562	99.55%
60-90	7	0.45%
0-90	1,569	100%

MULTIPLE UNIT DATA - (RCR 2)

SPACING ON CENTER	INITIAL FOOTCANDLES	WATTS/SQ. FT.
5'	76	1.02
6'	43	0.58
7'	30	0.4
8'	30	0.4
9'	19	0.26

Local 38' x 38' x 10'. Workplan located 2 1/2' (30°).
Reflection factor of 80%/50%/30%.

CANDELAS DISTRIBUTION

DEGREES/VERTICAL	CANDELAS	DEGREES/VERTICAL	CANDELAS
0	2,387	45	114
5	2,324	55	6
10	2,138	65	4
15	1,818	75	2
20	1,411	85	0
25	968	90	0
35	476		



Concerto LED - LD2A

4" Series

LD2A MODEL PHOTOMETRIC DATA

With performance 1 housing

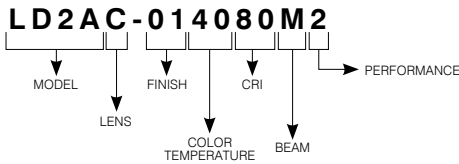
	Narrow Flood		Flood	
2,700K with 80 CRI	1,106 Lms	70.9 lm/W	1,000 Lms	63.7 lm/W
3,000K with 90 CRI	933 Lms	59 lm/W	862.2 Lms	54.3 lm/W
3,500K with 80 CRI	1,239 Lms	79 lm/W	1,153 Lms	73.4 lm/W
4,000K with 80 CRI	1,189 Lms	75.2 lm/W	1,256 Lms	79.5 lm/W

With performance 2 housing

	Narrow Flood		Flood	
2,700K with 80 CRI	1,780 Lms	82.8 lm/W	1,610 Lms	71.2 lm/W
3,000K with 90 CRI	1,230 Lms	54.7 lm/W	1,287 Lms	56.9 lm/W
3,500K with 80 CRI	1,625 Lms	75.6 lm/W	1,662 Lms	77.3 lm/W
4,000K with 80 CRI	1,603 Lms	70.6 lm/W	1,739 Lms	76.3 lm/W

* All .ies and Lighting facts files are available on our Website.

CODIFICATION EXAMPLE



ORDERING CODES

MODEL	LENSES	TRIM FINISHES	COLOR TEMPERATURES	CRI	BEAMS	PERFORMANCE
LD2A						2
LD2A	C Clear	-01 White	27 2,700K	80 80+ CRI	M Narrow Flood (27°)	2 Use with Performance 1 or Performance 2 Housings
	F Frosted	-02 Black	30 3,000K	90 90+ CRI	W Flood (47°)	
	H Honeycomb	-03 24K Gold Plated	35 3,500K	(only with 3,000K)		
	L Linear	-04 Chrome	40 4,000K			
	P Prismatic	-04BR Brushed Chrome				
	S Solite	-05 Architectural Bronze				
		-06 Antique Copper				
		-11 Matte White				
		-12BR Brushed Nickel				
		-13 Satin Nickel				
		-15 Metallic Grey				

For future on site modification of the light distribution.

Ordering codes: replacement lenses.

Lenses (to modify light diffusion)

Linear: **103092** Honeycomb: **103089**
 Solite: **103098** Frosted: **316228**
 Prismatic: **103095** Clear: **103584**

Reflectors (to modify the beam angle)

For a Narrow Flood: **316082**
 For a Flood: **316211**

