

ISLD300

3-1/2" Series - Concerto LED

Classic New Construction IC Housing

Project	_____
Notes	_____
Fixture Type	_____
Date	_____

SPECIFICATIONS

HOUSING DETAILS Galvanized steel and aluminum housing to optimize heat dissipation, of a thickness up to 18 gauge (0,051" (1,3 mm)). Junction box can support up to 10 - 14 gauge wires or 8 - 12 gauge wires (90° wires). Below-ceiling accessible. Can be installed in insulated ceilings, except polyurethane.

MOUNTING **Cutout diameter: Ø 3-5/8" (92 mm)**
 Perfect fit to ceiling, no light leakage.
 Can fit in ceilings up to 1-1/2" (38 mm) thick.
 Mounting bars extend from 10" (254 mm) to 24-1/2" (622 mm) to fit in most ceiling structures.

PERFORMANCE **Performance 1:** 1,500 lumens (16W)
Performance 2: 2,000 lumens (23W)

POWER **ELV:** 120V only
0-10V: Dual Voltage 120V / 277V

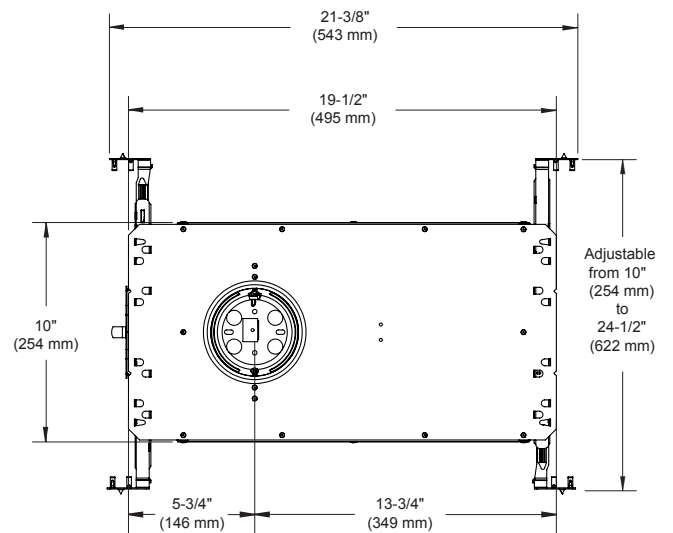
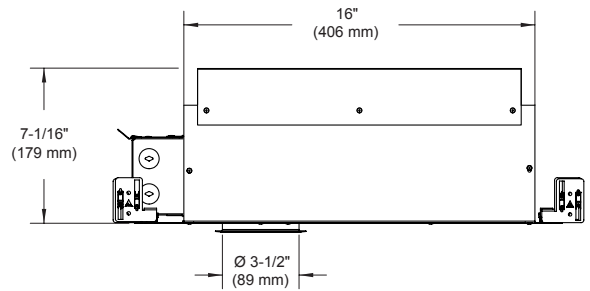
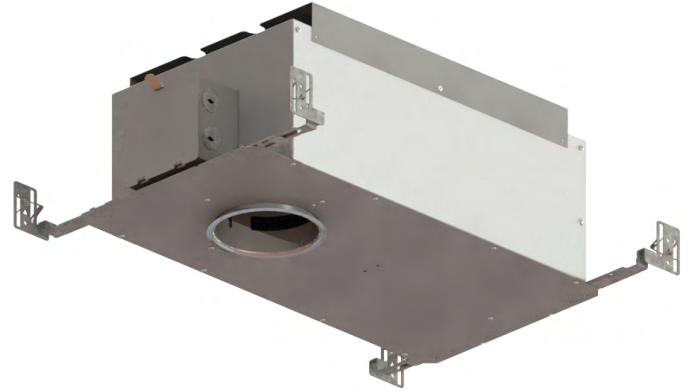
DIMMING 2 types of dimming offered:
 • Electronic Low Voltage (ELV)
 • 0-10V

Due to constant evolution of dimmers we must test them regularly.
 We invite you to consult frequently our Web site to find our dimmer compatibility list: www.contrastlighting.com

COMPATIBLE TRIMS	Performance 1		Performance 2	
	16W		23W	
LD3A	LD3F	LD3C	LD3G	LD3H
LD3B	LD3G	LD3D	LD3I	
LD3C	LD3H	LD3E		
LD3D	LD3I	LD3F		
LD3E				

CERTIFICATION • cULus **E343977** for damp and wet locations
 • Chicago Plenum (optional)

WARRANTY 5 years on LED driver.

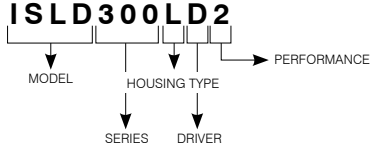


CONTRASTE

ISLD300

3-1/2" Series - Concerto LED

CODIFICATION EXAMPLE



ORDERING CODES

MODEL	SERIES	HOUSING TYPE	DRIVER	PERFORMANCE	COMPLIANCE OPTION
ISLD	300	L			
ISLD Classic New Construction IC Housing	300 300 Series	L Long	V ELV - 120V Only D 0-10V - Dual Voltage (120V / 277V)	1 16W 2 23W	... Standard X Chicago Plenum

Performance 1 and 2 housings are compatible with performance 2 trims.



CONTRASTE