

SPECIFICATION SHEET

ICAT6R3 - ICAT6S3

3-1/2" Series - Ardito

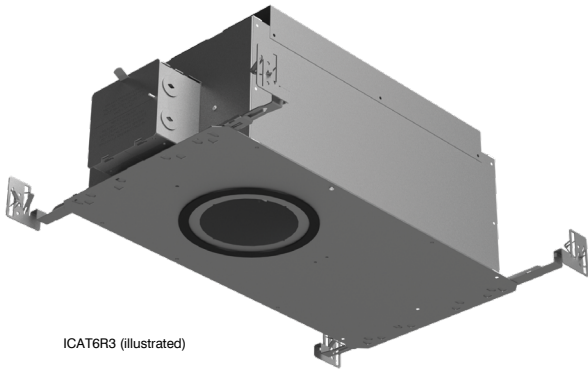
IC Air Tight Housing

Project _____

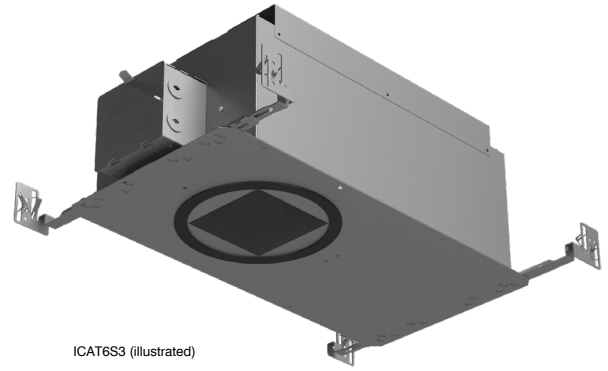
Notes _____

Fixture type _____

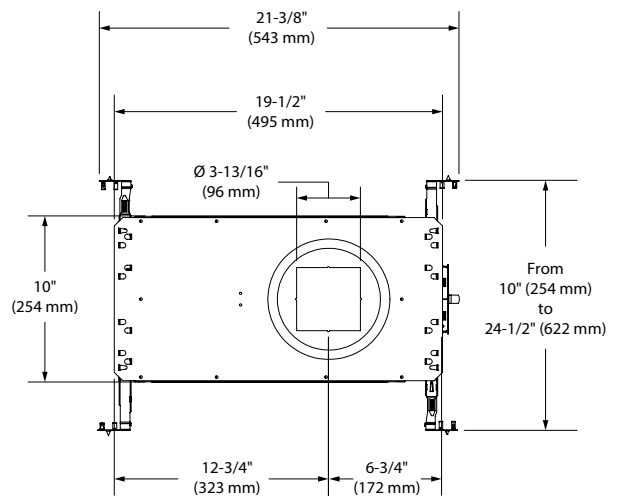
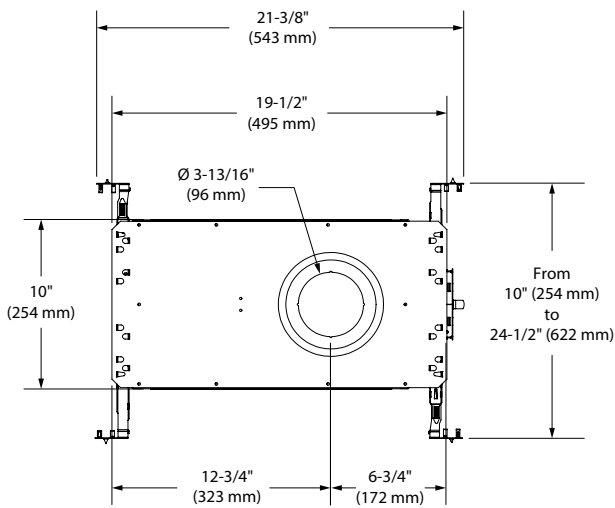
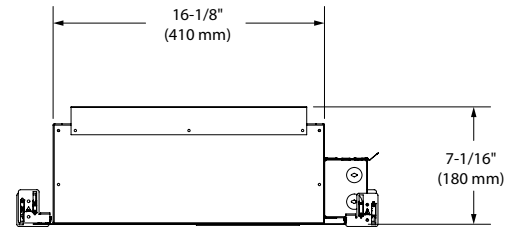
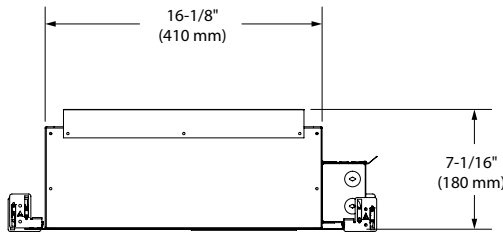
Date _____



ICAT6R3 (illustrated)



ICAT6S3 (illustrated)



CONTRASTE

2020-05
Revision 2

PRINTED IN CANADA

1009, rue du Parc Industriel
Lévis (Québec) G6Z 1C5 Canada
Tel.: 1-888-839-4624
Fax.: 1-877-839-7057
contrastelighting.com
info@contrastelighting.com

© 2018 Contraste Lighting M.L. Inc.
All rights reserved

Contrast Lighting M.L. Inc. reserves the right to make changes in specifications and/or to discontinue any product at any time without notice or obligation and will not be liable for any consequences resulting from the use of this publication.

SPECIFICATION SHEET

ICAT6R3 - ICAT6S3

3-1/2" Series - Ardito

IC Air Tight Housing



SPECIFICATIONS

HOUSING DETAILS	Galvanized steel and aluminum housing to optimize heat dissipation, of a thickness up to 18 gauge (0,051" / 1,3 mm). 33-1/2 in ³ junction box can support up to 10 - 14 gauge wires or 8 - 12 gauge wires (90° wires). Below-ceiling accessible. Can be installed in insulated ceilings, except polyurethane.			
MOUNTING AND SUPPORT	Round Cutout: ø 3-3/4" (95 mm) Square Cutout: 3-3/4" (95 mm) x 3-3/4" (95 mm) Mud-in-Plate: Required with the use of flangeless trim (MIPA3R, MIP3S) Optional: Reusable steel cutout template for square trim (TEMP-SQ) Perfect fit to ceiling. Can fit in ceiling up to 1-1/2" (38 mm) thick Minimal thickness determined by the choice of the trim (Consult trim specification sheet for minimum thickness requirement). Mounting bars extend from 10" (254 mm) to 24-1/2" (622 mm) to fit in most ceiling structures.			
PERFORMANCE	Performance 1: 1,300 lumens (14W) Performance 2: 1,900 lumens (23W) Consult trim specification sheets for complete details			
POWER SUPPLY	120V - 277V			
DIMMING	2 types of dimming offered all within the same unit: <ul style="list-style-type: none"> • Electronic Low Voltage (ELV) (120V only) • 0-10V (120V/277V) Due to constant evolution of dimmers, we must test them regularly. We invite you to consult frequently our Web site to find our suggested compatible dimmers list: www.contrastlighting.com			
COMPATIBLE TRIMS	ICAT0R3 (round aperture)		ICAT0S3 (square aperture)	
 JA8 CERTIFIED (CEC)	Performance 1 (14W)		Performance 2 (23W)	
	A3RAF	A3RAF-TR	A3RAF	A3RAF-TR
	A3RAR	A3RAR-TR	A3RAR	A3RAR-TR
	A3RFR	A3RFR-TR	A3RFR	A3RFR-TR
	A3RSF	A3RSF-TR	A3RSF	A3RSF-TR
COMPATIBLE TRIMS	ICAT0R3 (round aperture)		ICAT0S3 (square aperture)	
	Performance 1 (14W)		Performance 2 (23W)	
	A3RFD	A3RFD-TR	A3RFD	A3RFD-TR
	A3RWW	A3RWW-TR	A3RWW	A3RWW-TR
CERTIFICATION	<ul style="list-style-type: none"> • cULus E343977 for damp locations and wet locations with the shower trims • Air Tight tested in accordance with ASTM-E283 • CALIFORNIA TITLE 24 (JA8-2016) 			
WARRANTY	5 years on LED driver			

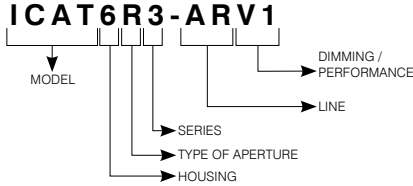
ICAT6R3 - ICAT6S3

3-1/2" Series - Ardito

IC Air Tight Housing



CODIFICATION EXAMPLE



ORDERING CODES

MODEL	HOUSING	TYPE OF APERTURE	SERIES	LINE	DIMMING / PERFORMANCE
ICAT	6		3	AR	
ICAT Insulated Housing Air Tight	6 16" x 10" (410 mm x 254 mm)	R Round S Square	3 3-1/2" Series	AR Ardito	V1 14W (1,300 lumens) 120V/277V 0-10V JAB ELV (120V only) V2 23W (1,900 lumens) 120V/277V 0-10V JAB ELV (120V only)

MUD-IN-PLATE OPTION

Required with the use of flangeless trims.
(see installation instructions sheet for more details)

ROUND

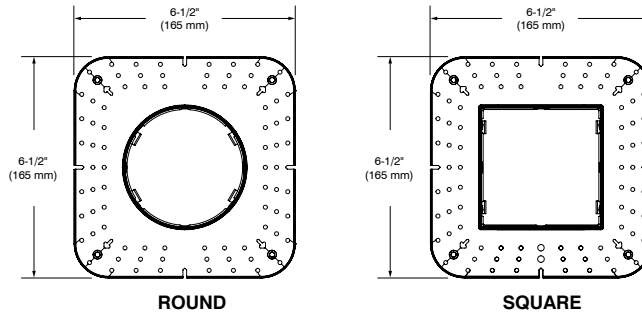
\varnothing 3-3/4" (95 mm)

Code: MIPA3R

SQUARE

3-3/4" (95 mm) x 3-3/4" (95 mm)

Code: MIPA3S



REUSABLE TEMPLATE OPTION

Reusable steel cutout template for square trim

Code: TEMP-SQ

