

SPECIFICATION SHEET



LED Adjustable Downlight
3 inches
CIRG30

Project _____

Notes _____

Fixture Type _____

Date _____



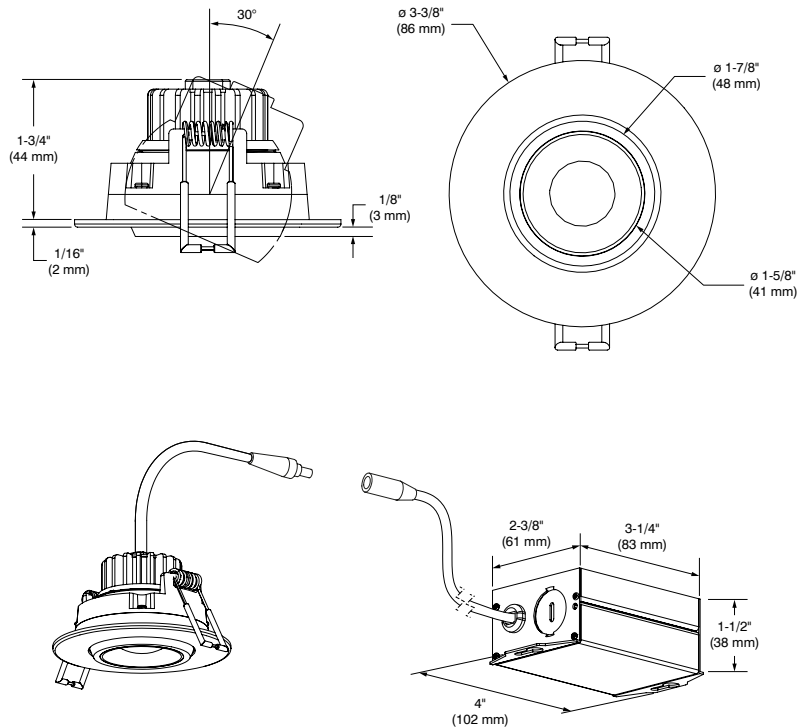
CIRG30-11xx (illustrated)

Recessed compact LED trim for insulated ceiling and suitable for wet locations. The slim profile with spring clips allows for quick and easy installation. Ideal for shallow spaces.



SPECIFICATIONS

COLOR TEMPERATURES	3,000K and 4,000K
CRI	90+
VOLTAGE	120 VAC
POWER	8 Watts
POWER FACTOR	>90%
LUMEN OUTPUT	3,000K: 600 lumens, 75 lm/W 4,000K: 650 lumens, 81 lm/W
LIFESPAN	L70 @ 50,000 hours
TRIM	Thin profile 1-3/4" (44 mm) 30° Adjustable Durable diecast aluminum body
HEAT SINK	High-quality aluminum alloy ensuring maximum heat dissipation for optimal performance.
BEAM	Flood → 40°
WIRE TYPE	18" FT6 plenum rated with twist-and-lock connector



SPECIFICATION SHEET



LED Adjustable Downlight

3 inches

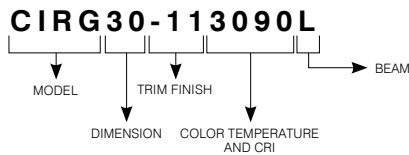
CIRG30



SPECIFICATIONS (CON'T)

MOUNTING	The space required beyond ceiling material is 4-1/4" (108 mm). The maximal thickness of the ceiling is 1-1/2" (38 mm). Beyond this thickness, springs will apply less pressure between the trim and the ceiling. The base of the trim will thus have some difficulty to sit flush with the ceiling.
CEILING CUTOUT	ø 2-3/4" (70 mm) MIN ø 2-3/4" (70 mm) / MAX ø 3-1/4" (83 mm)
JUNCTION BOX	Junction box with independent auxiliary connection and keyholes for fixing to the structure. Includes class II electronic LED driver.
DIMMING	Compatible with most Electronic Low Voltage (ELV) and Incandescent (TRIAC) dimmers.
ACCESSORIES	<ul style="list-style-type: none"> • Mounting Plate (see ordering code) • Extension of 6 and 20 feet (see ordering code)
CERTIFICATION	<ul style="list-style-type: none"> • Certified ETL for wet locations and insulated ceilings (type IC) • Certified Energy Star • Plenum rated (FT6) • Certified under California Energy Commission according to reference joint Appendix 8 (JA8-2016) • CALIFORNIE TITLE 24 (JA8-2016) • Air Tight tested in accordance with ASTM E283
WARRANTY	5-year warranty

CODIFICATION EXAMPLE



ORDERING CODES

MODEL	DIMENSION	TRIM FINISHES	COLOR TEMPERATURE AND CRI	BEAM
CIRG	30			L
CIRG	30 3 inches	-11 Matte White	3090 3,000K (90+ CRI) — 600 lm	L Flood (40°)
		-13 Satin Nickel	4090 4,000K (90+ CRI) — 650 lm	
		-22 Matte Black		



LED Adjustable Downlight

3 inches

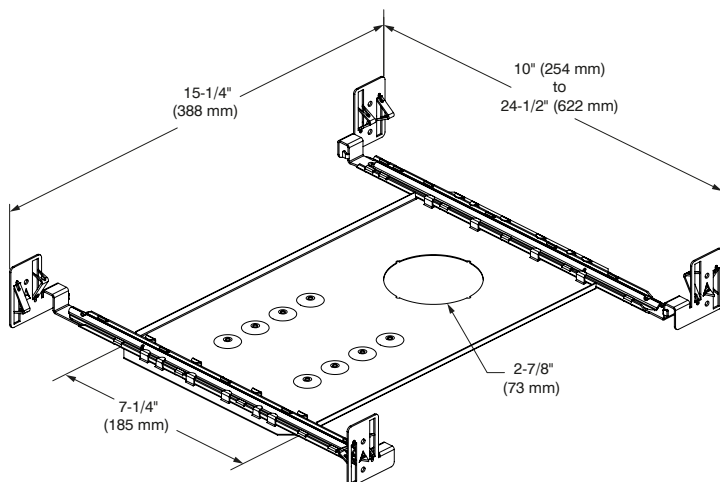
CIRG30



ACCESSORIES

MOUNTING PLATE

Code: **P2875RNW**



EXTENSIONS

Code: **CBL06-FT6-2TL** (6 feet)
CBL20-FT6-2TL (20 feet)



LED Adjustable Downlight

3 inches

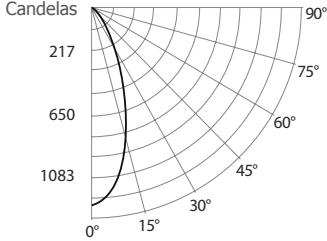
CIRG30

PHOTOMETRIC DATA



3000K, 90+ CRI, Flood Beam

CANDLEPOWER DISTRIBUTION



LIGHT CONE

Distance	FC	DIA
06'	33.72	4.1'
08'	18.97	5.4'
10'	12.14	6.8'
12'	8.43	8.2'
14'	6.19	9.5'
16'	4.74	10.9'

Beam: 37.6°
Beam Edge defined as 50% of Maximum Nadir Candle-power.

LUMINAIRE

LED	3000K Flood Beam
CBCP / Lumens	1214 / 597.6
Watts	120V 8.38W
Operating AMPS	0,07A
Lumen Maintenance	L70 @ 50,000 Hrs
CRI	90+
Lumens/Watt	71.3
Spacing Criteria	0.64

COEFFICIENT OF UTILIZATION - %

Ceiling Reflect %	80	50	30				
Wall Reflect %	50	30	50	30	50	30	
RCR	0	119	119	111	111	106	106
	2	104	100	99	97	96	94
	4	92	87	89	85	87	84
	6	83	77	81	76	79	75
	8	75	69	73	69	72	68
	10	68	63	67	63	66	62

Zonal Cavity Method
Effective Floor Cavity Reflectance 20%

ZONAL LUMEN SUMMARY

ZONE	LUMENS	%LUMINAIRE
0-30	480.8	80.5%
0-40	553.2	92.6%
0-60	589.9	98.7%
60-90	7.7	1.3%
0-90	597.6	100%

MULTIPLE UNIT DATA - (RCR 2)

SPACING ON CENTER	INITIAL FOOTCANDLES	WATTS/ SQ. FT.
5'	29	0.37
6'	16	0.21
7'	11	0.15
8'	11	0.15
9'	7	0.09

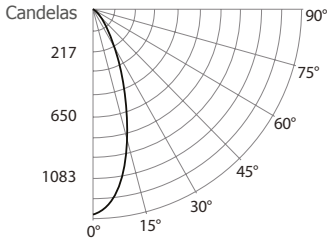
38' x 38' x 10' Room. Workplan located 2-1/2' (30").
Reflectance factor 80%/50%/30%

CANDELAS DISTRIBUTION

DEGREES/ VERTICAL	CANDELAS	DEGREES/ VERTICAL	CANDELAS
0	1214	40	56
5	1149	50	19
10	982	60	10
15	771	70	3
20	555	80	0
25	360	90	0
30	208		

4000K, 90+ CRI, Flood Beam

CANDLEPOWER DISTRIBUTION



LIGHT CONE

Distance	FC	DIA
06'	35.24	4.1'
08'	19.82	5.4'
10'	12.68	6.8'
12'	8.81	8.2'
14'	6.47	9.5'
16'	4.95	10.9'

Beam: 37.6°
Beam Edge defined as 50% of Maximum Nadir Candle-power.

LUMINAIRE

LED	4000K Flood Beam
CBCP / Lumens	1268 / 624.5
Watts	120V 8.38W
Operating AMPS	0.07A
Lumen Maintenance	L70 @ 50,000 Hrs
CRI	90+
Lumens/Watt	74.5
Spacing Criteria	0.64

COEFFICIENT OF UTILIZATION - %

Ceiling Reflect %	80	50	30				
Wall Reflect %	50	30	50	30	50	30	
RCR	0	119	119	111	111	106	106
	2	104	100	99	97	96	94
	4	92	87	89	85	87	84
	6	83	77	81	76	79	75
	8	75	69	73	69	72	68
	10	68	63	67	63	66	62

Zonal Cavity Method
Effective Floor Cavity Reflectance 20%

ZONAL LUMEN SUMMARY

ZONE	LUMENS	%LUMINAIRE
0-30	502.4	80.5%
0-40	578.0	92.6%
0-60	616.4	98.7%
60-90	8.0	1.3%
0-90	624.5	100%

MULTIPLE UNIT DATA - (RCR 2)

SPACING ON CENTER	INITIAL FOOTCANDLES	WATTS/ SQ. FT.
5'	30	0.37
6'	17	0.21
7'	12	0.15
8'	12	0.15
9'	8	0.09

38' x 38' x 10' Room. Workplan located 2-1/2' (30").
Reflectance factor 80%/50%/30%

CANDELAS DISTRIBUTION

DEGREES/ VERTICAL	CANDELAS	DEGREES/ VERTICAL	CANDELAS
0	1268	40	59
5	1200	50	20
10	1026	60	10
15	805	70	3
20	580	80	0
25	376	90	0
30	218		