

CA3000-LED

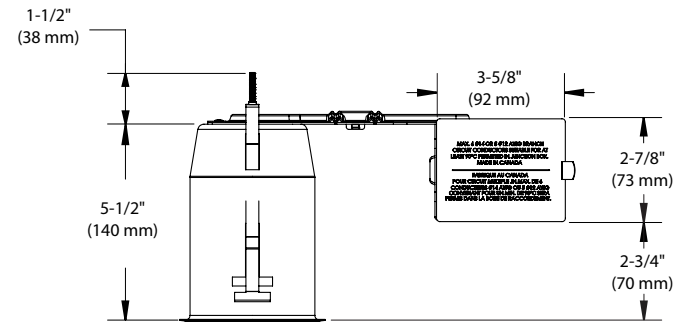
3-1/2" 3000 Series - Evolution LED

IC Air Tight Remodel Housing for PAR16 LED Lamp

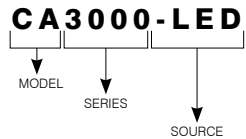
Project	
Notes	
Fixture Type	
Date	

SPECIFICATIONS

HOUSING DETAILS	18 gauge 0.051" (1.3 mm) thickness galvanized steel. Approved for use in insulated ceilings in direct contact with the insulation material (except polyurethane). Air Tight. Flexible channel wire bracket made of 20 gauge steel, bending up to 45° vertically for ease of installation in confined spaces. Junction box can support up to 10 – 14 gauge wires or 8 – 12 gauge wires. Below-ceiling accessible.			
MOUNTING	Cutout diameter: Ø 3-5/8" (92 mm) Can fit in ceilings up to 7/8" (22 mm) thick. Requires a 7" (178 mm) clearance beyond the ceiling level. Hook for ease of installation and a perfect fit to ceiling. No light leakage.			
LAMP	PAR16 LED 8W MAX This product was designed for PAR16 LED lamp. If you want to use a dimmer, please refer regularly to the lamp manufacturer dimmer compatibility list.			
VOLTAGE	120 Volts			
COMPATIBLE TRIMS	R3151 R3151W R3152 R3171 R3450D R3470 R3652 S3145 S3151	S3400 S3450 S3450D T3000 T3100 T3125 T3145 T3145D T3145DG	T3145W T3152 T3165 T3185 T3200 T3250 T3250DG T3260 T3300	T3400 T3400D T3450 T3450D T3450W T3650 T3652 T3850
THERMAL PROTECTION	TC 194°F (90°C)			
CERTIFICATION	<ul style="list-style-type: none"> cULus E343977 for damp locations Certified Air Tight ASTM E283 			
WARRANTY	5 years on socket and 1 year on other components.			



CODIFICATION EXAMPLE



ORDERING CODE

MODEL	SERIES	SOURCE
CA	3000	-LED
CA Remodel	3000 3-1/2" Series	-LED PAR16 LED Lamp

