

SPECIFICATION SHEET

CA2550U**3-1/2" Series - Classic / Evolution****White Painted Remodel Housing**

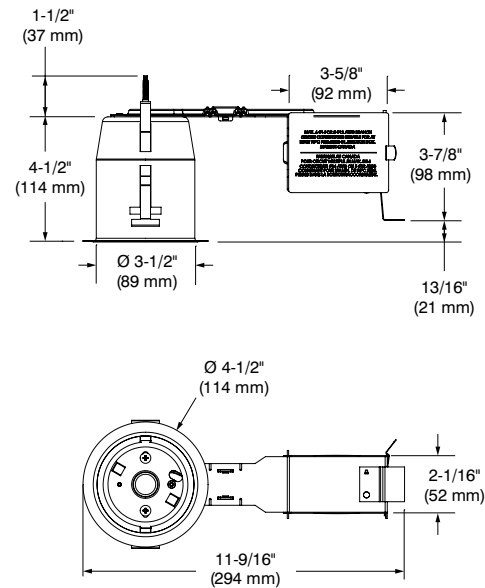
(No Trim Required)

Project _____

Notes _____

Fixture Type _____

Date _____



SPECIFICATIONS

HOUSING DETAILS	18 gauge up to 0.051" (1.3 mm) thick galvanized steel housing. 19-1/2 in ³ junction box can support up to 10 - 14 gauge wires or 8 - 12 gauge wires. Below-ceiling accessible.
SOCKET	Porcelain; medium base socket (E26) Pre-wired with 18 gauge wire SEW 200°C connected to the junction box.
MOUNTING AND SUPPORT	Cutout diameter: ø 3-5/8" (92 mm) Can fit in ceilings up to 7/8" (22 mm) thick. Requires in 6" (152 mm) clearance beyond the ceiling level. Hook for ease of installation and perfect fit to ceiling. No light leakage.
LAMPS	PAR20 Halogen 50W MAX This product was designed for a PAR20 halogen lamp. If you want to use dimming and you replace PAR20 lamp by an equivalent LED PAR20 lamp, please refer regularly to the lamp manufacturer dimmer compatibility list.
VOLTAGE	120 Volts (CAN & USA)
CERTIFICATION	cULus for damp locations
WARRANTY	1-year limited warranty on components

CONTRASTE

1009, rue du Parc Industriel
Lévis (Québec) G6Z 1C5 Canada
Tel.: 1-888-839-4624
Fax.: 1-877-839-7057
contrastlighting.com
info@contrastlighting.com

© 2021 Contrast Lighting M.L. Inc.
All rights reserved

Contrast Lighting M.L. Inc. reserves the right to make changes in specifications and/or to discontinue any product at any time without notice or obligation and will not be liable for any consequences resulting from the use of this publication.

CA2550U

3-1/2" Series - Classic / Evolution

White Painted Remodel Housing

(No Trim Required)



SPECIFICATIONS (CONT'D)

COMPATIBLE ACCESSORIES

COLLAR — C2550

(The C2550 collar requires either a **BAFRE2550** baffle or a **REFRE2550** reflector for fixed.)

Die-formed steel.

Different finishes available:

POWDER COAT PAINTED (Standard)

White (-01), Black (-02), Architectural Bronze (-05), Antique Cooper (-06), Matte White (-11), Matte Black (-22) and Polar Grey (-25)

PLATED (Premium)

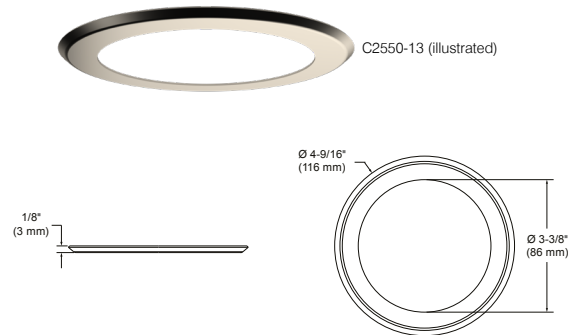
24K Gold Plated (-03), Chrome (-04), Brushed Chrome (-04BR), Brushed Nickel (-12BR) and Satin Nickel (-13)

Opening Adaptor (see ordering code)

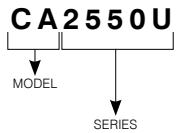
Phenolic Baffles (see ordering code)

Mounting Plates (see ordering code)

Goof rings (see ordering code)



HOUSING CODIFICATION EXAMPLE



ORDERING CODES

MODEL	SERIES	BAFFLE (BAFRE2550) / REFLECTOR (REFRE2550) OPTIONAL	
CA	2550U	PHENOLIC BAFFLE	SPECULAR REFLECTOR
CA Remodel Housing	2550U Universal 3-1/2" Series	-01 White -02 Black	-BK Black -CL Clear

Required if you want to use a collar

PHENOLIC BAFFLES



White

BAFRE2550-01



Black

BAFRE2550-02

SPECULAR REFLECTOR



Clear

REFRE2550-CL



Black

REFRE2550-BK

CONTRASTE

CA2550U

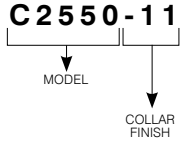
3-1/2" Series - Classic / Evolution

White Painted Remodel Housing

(No Trim Required)



COLLAR CODIFICATION EXAMPLE



ORDERING CODES

MODEL	COLLAR FINISHES
C2550	
C2550	POWDER COAT PAINTED (Standard)
-01	White
-02	Black
-05	Architectural Bronze
-06	Antique Copper
-11	Matte White
-22	Matte Black
-25	Polar Grey
	PLATED (Premium)
-03	24K Gold Plated
-04	Chrome
-04BR	Brushed Chrome
-12BR	Brushed Nickel
-13	Satin Nickel

GOOF RINGS

Goof rings correct the openings too large or damaged ceiling cutout.

All goof rings are available in all Contraste finishes. Add finish color code at the end of the goof rings code.

Ex.: RON2550-06

Code: RON2550

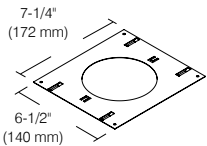
Outside diameter: ø 5" (127 mm)
Inside diameter: ø 3-5/8" (92 mm)



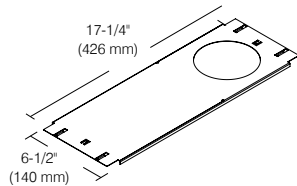
MOUNTING PLATES

Ceiling cutout: ø 3-5/8" (92 mm)

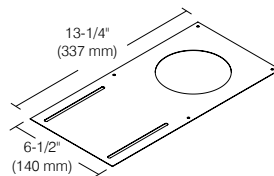
Code: P2550/3600
(Mounting Bars required)



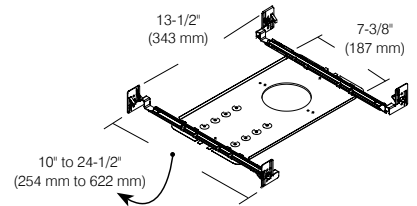
Code: P2550L
(Mounting Bars required)



Code: P2550N/3600N
(Mounting Bars NOT required)



Code: P2550NW
(Mounting Bars INCLUDED)



MOUNTING BARS

Short Bars Adjustable (2 units)
From 13-1/2" (343 mm) to 21-3/4" (553 mm)

Code: BARS



Long Bars Adjustable (2 units)
From 19-1/2" (495 mm) to 34" (863 mm)

Code: BARL



Interlocking Adjustable Bars (2 pairs)
From 10" (254 mm) to 24-1/2" (622 mm)

Code: BARK-REV1

