

## SPECIFICATION SHEET

**Ardito LED - A2SFR**

2-1/2" Series

**Ultra-Thin Profile Square Regressed Trim**

Project \_\_\_\_\_

Notes \_\_\_\_\_

Fixture Type \_\_\_\_\_

Date \_\_\_\_\_

**WITH FLANGE**

A2SFR-12BR (illustrated)

**FLANGELESS TRIM**

A2SFR-TR12BR (illustrated)

Ultra-Thin Profile Downlight Square Regressed Trim, 2-1/2" high-efficiency dimmable LED. Offered in Remodel NON-IC (with optional mounting plate), new construction NON-IC and new construction IC configurations.

## SPECIFICATIONS



**TRIM DETAILS** Requires a 5" (127 mm) clearance beyond the ceiling level when used with remodel or new construction NON-IC housings.

When used with a flangeless configuration, the clearance beyond the ceiling level is 7" (178 mm).

Each part of the housing should be at LEAST 3" (76 mm) from insulation (non-IC configurations)

Can fit in ceiling from 1/2" (12 mm) to 1-3/8" (35 mm) thick

Accessible from below the ceiling for ease of maintenance.

**HEAT SINK** High-quality injection molded aluminum heat sink ensuring maximum heat dissipation for optimal performance.

**TROU DE PERÇAGE**  
**Flanged Trim**  
**2-5/8" (67 mm) x 2-5/8" (67 mm)**

**Flangeless Trim**  
**3-3/16" (81 mm) x 3-3/16" (81 mm)**

**Included:** Cardboard cutout template

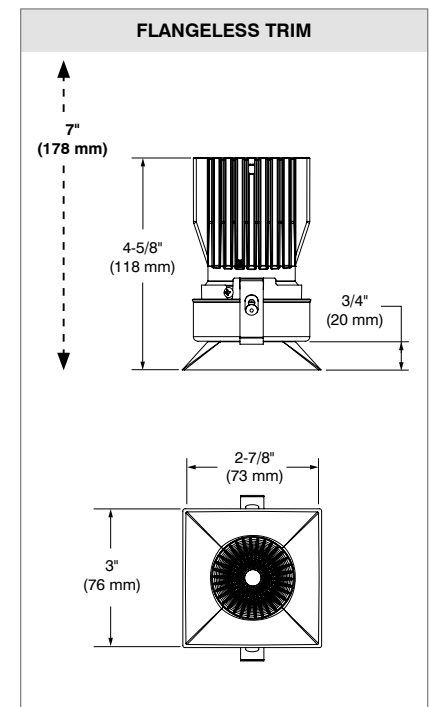
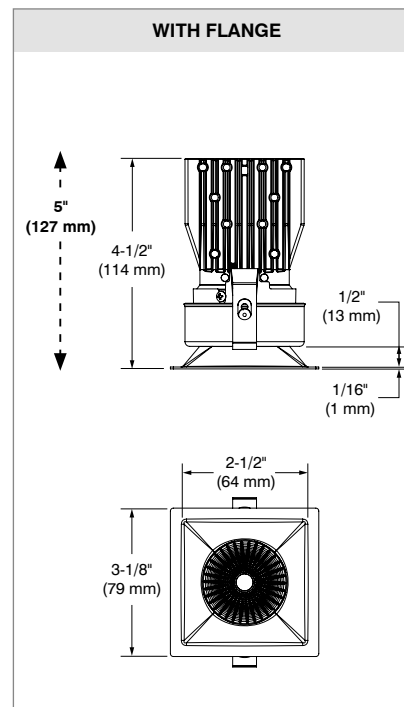
**Optional:** Reusable steel cutout template for square trim (**TEMP-SQ**)

**CERTIFICATION**

- cULus **E343977** for damp locations
- Certified under California Energy Commission according to reference joint Appendix 8 (JA8-2016)
- Certified Air Tight ASTM E283

**WARRANTY** 1 year on components against manufacturing defects  
5 years on LED arrays and drivers

↑  
↓  
Clearance beyond  
the ceiling level

**CONTRASTE**2020-09  
Revision 3

PRINTED IN CANADA

1009, rue du Parc Industriel  
Lévis (Québec) G6Z 1C5 Canada  
Tel.: 1-888-839-4624  
Fax.: 1-877-839-7057  
contrastlighting.com  
info@contrastlighting.com

© 2020 Contrast Lighting M.L. Inc.  
All rights reserved

Contrast Lighting M.L. Inc. reserves the right to make changes in specifications and/or to discontinue any product at any time without notice or obligation and will not be liable for any consequences resulting from the use of this publication.

# Ardito LED - A2SFR

**2-1/2" Series****Ultra-Thin Profile Square Regressed Trim**

## SPECIFICATIONS (CONT'D)

## COMPATIBLE HOUSINGS

	Remodel Housing	New Construction Housing	Insulated Air Tight Housing (Title 24)
<b>Performance 1 (14W)</b>	REA2V1	NWA2SV1	ICAT0S2-ARV1

For dimming, please visit our Web site frequently to find our suggested compatible dimmers: [www.contrastlighting.com](http://www.contrastlighting.com)

## LIGHT ENGINE

**STANDARD (SOLID WHITE)**

Lumileds Luxeon CoB 1203 GEN3.

L<sub>70</sub> @ 50,000 hours of operation.

3-Step MacAdam ellipse (3 SDCM)

Color Temperatures: 2,700K - 3,000K - 3,500K - 4,000K

CRI: 90+

R9: >50

Delivered Lumens: Performance 1 (14W) up to 1,375 lumens (95 lm/W)

Power Supply: 120V / 277V (universal input)

One driver available in performance 1 (14W) and offering 2 dimming options within the same unit:

ELV: 120V only

0-10V: 120V / 277V

Consult housing specification sheet for more details.

**WARM DIMMING (WD)**

LED module mimicking the halogen lamp dimming conditions by lowering color temperature from 3,050K at full intensity down to 1,800K at low-end while ensuring 94+ CRI throughout the whole process.

L<sub>70</sub> @ 50,000 hours of operation.

3-Step MacAdam ellipse (3 SDCM)

Color Temperatures: 3,050K to 1,800K

CRI: 94+ (over the entire dimming range)

R9: >85

Delivered Lumens: Performance 1 (14W) 775 lumens @ 3,000K (55 lm/W)

Power Supply: 120V / 277V (universal input)

One driver available in performance 1 (14W) and offering 2 dimming options within the same unit:

ELV: 120V only

0-10V: 120V / 277V

Consult housing specification sheet for more details.

# CONTRASTE

2020-09  
Revision 3

PRINTED IN CANADA

1009, rue du Parc Industriel  
Lévis (Québec) G6Z 1C5 Canada  
Tel.: 1-888-839-4624  
Fax.: 1-877-839-7057  
[contrastlighting.com](http://contrastlighting.com)  
[info@contrastlighting.com](mailto:info@contrastlighting.com)

© 2020 Contrast Lighting M.L. Inc.  
All rights reserved

Contrast Lighting M.L. Inc. reserves the right to make changes in specifications and/or to discontinue any product at any time without notice or obligation and will not be liable for any consequences resulting from the use of this publication.

# Ardito LED - A2SFR

2-1/2" Series

## Ultra-Thin Profile Square Regressed Trim




### SPECIFICATIONS (CONT'D)

#### OPTIC SYSTEM

Interchangeable optional optical reflectors and lenses available to customize your lighting.

**Choice of available lenses:**  
(also sold separately)

**Clear (C)** 

**Frosted (F)**

**Honeycomb (H):** the honeycomb louver reduces glare

**Linear (L):** the linear lens directs the lamp beam to create a strip of light

**Prismatic (P):** the prismatic lens diffuses and spreads the light in an even overall pattern

**Solite (S):** the solite lens softens the light in an even overall pattern

**Optical reflectors available:** Spot, Narrow Flood, Flood and Wide Flood

#### Standard

Spot <b>(S)</b>	15°
Narrow Flood <b>(M)</b>	24°
Flood <b>(L)</b>	36°
Wide Flood <b>(V)</b>	60°

#### Warm Dimming (WD)

Narrow Flood <b>(M)</b>	25°
Flood <b>(L)</b>	40°

**Average beams shown. Consult .ies files on our Web site for more details.**

#### FLANGE AND REFLECTOR FINISHES

Powder coat painted or plated die formed steel.

**Different finishes available:** *(Options in red may generate a longer production lead time)*

24K Gold Plated **(-03)**, Brushed Chrome **(-04BR)**, Matte White **(-11)**, Brushed Nickel **(-12BR)**, Satin Nickel **(-13)**, Matte Black **(-22)** and Polar Grey **(-25)**

#### FLANGELESS TRIMS (OPTION)

Perforated aluminum plate for flangeless product, allowing you to plaster up to the edge of the opening of the Ardito luminaire. Mud-in-plate sold separately.

**Ordering code: MIPA2S**

Consult housing specification sheet for more details.

# CONTRASTE

2020-09  
Revision 3

PRINTED IN CANADA

1009, rue du Parc Industriel  
Lévis (Québec) G6Z 1C5 Canada  
Tel.: 1-888-839-4624  
Fax.: 1-877-839-7057  
contrastlighting.com  
info@contrastlighting.com

© 2020 Contrast Lighting M.L. Inc.  
All rights reserved

Contrast Lighting M.L. Inc. reserves the right to make changes in specifications and/or to discontinue any product at any time without notice or obligation and will not be liable for any consequences resulting from the use of this publication.

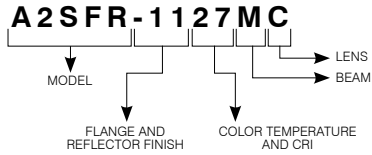
# Ardito LED - A2SFR

2-1/2" Series

## Ultra-Thin Profile Square Regressed Trim



### TRIM WITH FLANGE CODIFICATION EXAMPLE



*Options in red may generate a longer production lead time.*

### TRIM WITH FLANGE ORDERING CODES **A2SFR**

MODEL	FLANGE AND REFLECTOR FINISHES	COLOR TEMPERATURES AND CRI	BEAMS	LENSES
<b>A2SFR</b>				
<b>A2SFR</b>	<b>-04BR</b> Brushed Chrome	<b>27</b> 2,700K (90+ CRI)	<b>S</b> Spot (15°)	<b>C</b> Clear
	<b>-11</b> Matte White	<b>30</b> 3,000K (90+ CRI)	<b>M</b> Narrow Flood (24°) Narrow Flood — <b>WD</b> (25°)	<b>F</b> Frosted
	<b>-12BR</b> Brushed Nickel	<b>35</b> 3,500K (90+ CRI)	<b>L</b> Flood (36°) Flood — <b>WD</b> (40°)	<b>H</b> Honeycomb
	<b>-22</b> Matte Black	<b>40</b> 4,000K (90+ CRI)	<b>V</b> Wide Flood (60°)	<b>L</b> Linear
	<b>-25</b> Polar Grey	<b>WD</b> Warm Dimming 3,050K to 1,800K (94+ CRI)		<b>P</b> Prismatic
	<b>-03</b> <i>24K Gold Plated</i>			<b>S</b> Solite
	<b>-13</b> <i>Satin Nickel</i>			

SPECIFICATION SHEET

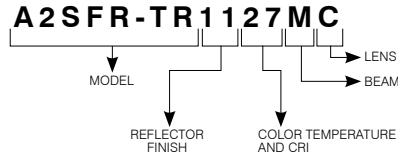
# Ardito LED - A2SFR

2-1/2" Series

## Ultra-Thin Profile Square Regressed Trim



FLANGELESS TRIM OPTION — CODIFICATION EXAMPLE



Mud-in-plate required for use of flangeless trim (see ordering code below)

*Options in red may generate a longer production lead time.*

FLANGELESS TRIM OPTION — ORDERING CODES **A2SFR-TR**

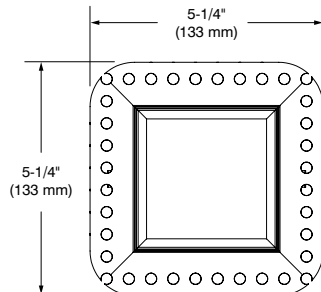
MODEL	REFLECTOR FINISHES	COLOR TEMPERATURES AND CRI	BEAMS	LENSES
<b>A2SFR-TR</b>				
<b>A2SFR-TR</b>	<b>04BR</b> Brushed Chrome	<b>27</b> 2,700K (90+ CRI)	<b>S</b> Spot (15°)	<b>C</b> Clear
	<b>11</b> Matte White	<b>30</b> 3,000K (90+ CRI)	<b>M</b> Narrow Flood (24°) Narrow Flood — <b>WD</b> (25°)	<b>F</b> Frosted
	<b>12BR</b> Brushed Nickel	<b>35</b> 3,500K (90+ CRI)	<b>L</b> Flood (36°) Flood — <b>WD</b> (40°)	<b>H</b> Honeycomb
	<b>22</b> Matte Black	<b>40</b> 4,000K (90+ CRI)	<b>V</b> Wide Flood (60°)	<b>L</b> Linear
	<b>25</b> Polar Grey	<b>WD</b> Warm Dimming 3,050K to 1,800K (94+ CRI)		<b>P</b> Prismatic
	<b>03</b> 24K Gold Plated			<b>S</b> Solite
	<b>13</b> Satin Nickel			

### MUD-IN-PLATE

Required with the use of flangeless trims.  
Consult housing specification sheet for more details.



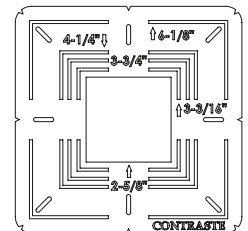
Code: MIPA2S



### REUSABLE TEMPLATE OPTION

Reusable steel cutout template for square trim.

Code: TEMP-SQ



# Ardito LED - A2SFR

## 2-1/2" Series

### Ultra-Thin Profile Square Regressed Trim



#### ORDERING CODES

#### for replacement lenses and reflectors

For future on-site modifications of the light distribution.

#### Lenses (to modify light diffusion)

Clear (C): **103584**

Frosted (F): **316228**

Honeycomb (H): **103089**

Linear (L): **103092**

Prismatic (P): **103095**

Solite (S): **103098**

#### Reflectors (to modify the beam angle)

For a Spot (15°): **104419**

For a Narrow Flood (24°): **104420**

For a Flood (36°): **104421**

For a Wide Flood (60°): **104422**

For a Narrow Flood — Warm Dimming (WD) (25°): **104571**

For a Flood — Warm Dimming (WD) (40°): **104573**

#### PHOTOMETRIC DATA

In order to obtain the accurate photometric data, multiply the lumens relative to your product selection by the applicable factor(s). Take note these factors also need to be implemented in the .ies files available on our website.

STANDARD	Spot (15°)		Narrow Flood (24°)		Flood (36°)		Wide Flood (60°)	
	lm	lm/W	lm	lm/W	lm	lm/W	lm	lm/W
<b>2,700K with 90+ CRI</b>	1,225	85.1	1,080	75	1,075	74.6	1,070	74.3
<b>3,000K with 90+ CRI</b>	1,270	88.2	1,115	77.4	1,110	77.1	1,105	76.7
<b>3,500K with 90+ CRI</b>	1,340	93.1	1,180	81.9	1,175	81.6	1,170	81.3
<b>4,000K with 90+ CRI</b>	1,375	95.5	1,210	84	1,205	83.7	1,200	83.3

Lens Factors			
<b>C</b>	1	<b>H</b>	0.57
<b>F</b>	0.71		

WARM DIMMING (WD)	Narrow Flood (25°)		Flood (40°)	
	lm	lm/W	lm	lm/W
<b>Warm Dimming with 94+ CRI</b>	765	55	775	55

Lens Factors	
<b>Std</b>	1
<b>C</b>	0.92

# CONTRASTE

# Ardito LED - A2SFR

2-1/2" Series

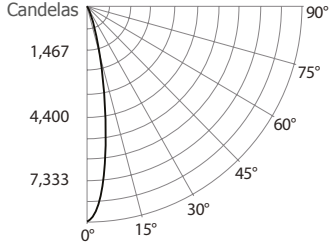
Ultra-Thin Profile Square Regressed Trim

PHOTOMETRIC DATA



### 3,000K, 90+ CRI, Spot, Performance 1

#### CANDLEPOWER DISTRIBUTION



#### LIGHT CONE

Distance	FC	DIA
06'	242.1	1.7'
08'	136.2	2.3'
10'	87.2	2.8'
12'	60.5	3.4'
14'	44.5	4.0'
16'	34.0	4.5'

Beam: 16°  
Beam Edge defined as 50% of Maximum Nadir Candle-power.

#### LUMINAIRE

Performance 1 LED	3,000K	Spot
<b>CBCP / Lumens</b>	8,715	/ 1,267.3
<b>Watts</b>	120V	277V
	14.4W	14.9W
<b>Operating AMPS</b>	0.12A	0.054A
<b>Lumen Maintenance</b>	L70 @ 50,000 Hrs	
<b>CRI</b>	90+	
<b>Lumens/Watt</b>	88	
<b>Spacing Criteria</b>	0.07	

#### COEFFICIENT OF UTILIZATION - %

Ceiling Reflect %	80	50	30
<b>Wall Reflect %</b>	50	30	50
<b>RCR</b>	0	119	119
	111	111	106
	106	106	106
	2	108	105
	103	101	100
	99	99	92
	4	100	96
	97	94	95
	92	92	87
	6	93	89
	91	88	90
	87	85	82
	8	87	83
	86	83	85
	82	81	78
	10	83	79
	82	78	81
	78	78	78

Zonal Cavity Method  
Effective Floor Cavity Reflectance 20%

#### ZONAL LUMEN SUMMARY

ZONE	LUMENS	%LUMINAIRE
0-30	1,114.8	94.8%
0-40	1,176.1	100%
0-60	1,176.1	100%
60-90	0.0	0%
0-180	1,176.1	100%

#### MULTIPLE UNIT DATA - (RCR 2)

SPACING ON CENTER	INITIAL FOOTCANDLES	WATTS/SQ. FT.
5'	59	0.64
6'	33	0.36
7'	23	0.25
8'	23	0.25
9'	15	0.16

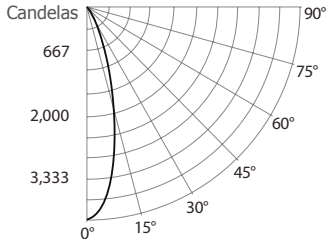
38' x 38' x 10' Room. Workplan located 2-1/2' (30").  
Reflectance factor 80%/50%/30%

#### CANDELAS DISTRIBUTION

DEGREES/VERTICAL	CANDELAS	DEGREES/VERTICAL	CANDELAS
0	8,715	40	0
5	6,473	50	0
10	3,037	60	0
15	1,150	70	0
20	724	80	0
25	535	90	0
30	328		

### 3,000K, 90+ CRI, Narrow Flood, Performance 1

#### CANDLEPOWER DISTRIBUTION



#### LIGHT CONE

Distance	FC	DIA
06'	111	2.9'
08'	62.5	3.9'
10'	39.9	4.8'
12'	27.8	5.8'
14'	20.4	6.7'
16'	15.6	7.7'

Beam: 27°  
Beam Edge defined as 50% of Maximum Nadir Candle-power.

#### LUMINAIRE

Performance 1 LED	3,000K	Narrow Flood
<b>CBCP / Lumens</b>	3,997	/ 1,133.8
<b>Watts</b>	120V	277V
	14.4W	14.9W
<b>Operating AMPS</b>	0.12A	0.054A
<b>Lumen Maintenance</b>	L70 @ 50,000 Hrs	
<b>CRI</b>	90+	
<b>Lumens/Watt</b>	78.7	
<b>Spacing Criteria</b>	0.12	

#### COEFFICIENT OF UTILIZATION - %

Ceiling Reflect %	80	50	30
<b>Wall Reflect %</b>	50	30	50
<b>RCR</b>	0	119	119
	111	111	106
	106	106	106
	2	107	104
	102	100	99
	97	94	91
	92	90	92
	6	90	85
	87	84	86
	83	81	77
	8	83	79
	82	78	81
	77	76	72
	10	77	73
	76	73	76
	76	72	72

Zonal Cavity Method  
Effective Floor Cavity Reflectance 20%

#### ZONAL LUMEN SUMMARY

ZONE	LUMENS	%LUMINAIRE
0-30	1,055.6	93.1%
0-40	1,130.2	99.7%
0-60	1,133.8	100%
60-90	0.0	0%
0-90	1,133.8	100%

#### MULTIPLE UNIT DATA - (RCR 2)

SPACING ON CENTER	INITIAL FOOTCANDLES	WATTS/SQ. FT.
5'	56	0.64
6'	32	0.36
7'	22	0.25
8'	22	0.25
9'	14	0.16

38' x 38' x 10' Room. Workplan located 2-1/2' (30").  
Reflectance factor 80%/50%/30%

#### CANDELAS DISTRIBUTION

DEGREES/VERTICAL	CANDELAS	DEGREES/VERTICAL	CANDELAS
0	3,997	40	14
5	3,654	50	1
10	2,742	60	0
15	1,699	70	0
20	944	80	0
25	570	90	0
30	337		

# Ardito LED - A2SFR

2-1/2" Series

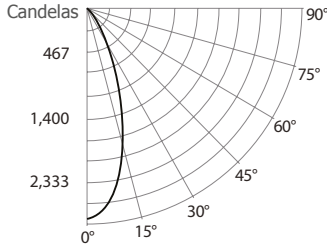
Ultra-Thin Profile Square Regressed Trim

PHOTOMETRIC DATA



## 3,000K, 90+ CRI, Flood Performance 1

### CANDLEPOWER DISTRIBUTION



### LIGHT CONE

Distance	FC	DIA
06'	76.3	3.7'
08'	42.9	5.0'
10'	27.5	6.2'
12'	19.1	7.5'
14'	14	8.7'
16'	10.7	10'

Beam: 35°  
Beam Edge defined as 50% of Maximum Nadir Candle-power.

### LUMINAIRE

Performance 1 LED	3,000K Flood
<b>CBCP / Lumens</b>	2,745 / 1,084.3
<b>Watts</b>	120V 277V 14.4W 14.9W
<b>Operating AMPS</b>	0.12A 0.054A
<b>Lumen Maintenance</b>	L70 @ 50,000 Hrs
<b>CRI</b>	90+
<b>Lumens/Watt</b>	75.3
<b>Spacing Criteria</b>	0.15

### COEFFICIENT OF UTILIZATION - %

Ceiling Reflect %	80		50		30		
Wall Reflect %	50	30	50	30	50	30	
<b>RCR</b>	0	119	119	111	111	106	106
	2	106	103	101	99	98	96
	4	96	91	93	89	91	88
	6	87	83	85	81	84	80
	8	80	75	79	75	78	74
	10	74	70	73	69	72	69

Zonal Cavity Method  
Effective Floor Cavity Reflectance 20%

### ZONAL LUMEN SUMMARY

ZONE	LUMENS	%LUMINAIRE
0-30	997.4	92%
0-40	1065.6	98.3%
0-60	1081.4	99.7%
60-90	2.9	0.3%
0-180	1084.3	100%

### MULTIPLE UNIT DATA - (RCR 2)

SPACING ON CENTER	INITIAL FOOTCANDLES	WATTS/SQ. FT.
5'	54	0.64
6'	30	0.36
7'	21	0.25
8'	21	0.25
9'	13	0.16

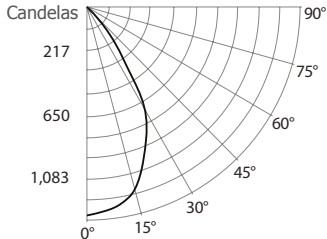
38' x 38' x 10' Room. Workplan located 2-1/2' (30").  
Reflectance factor 80%/50%/30%

### CANDELAS DISTRIBUTION

DEGREES/VERTICAL	CANDELAS	DEGREES/VERTICAL	CANDELAS
0	2,745	40	22
5	2,612	50	8
10	2,246	60	5
15	1,659	70	1
20	1,083	80	0
25	677	90	0
30	338		

## 3,000K, 90+ CRI, Wide Flood, Performance 1

### CANDLEPOWER DISTRIBUTION



### LIGHT CONE

Distance	FC	DIA
06'	35.7	7.1'
08'	20.1	9.5'
10'	12.9	11.9'
12'	8.9	14.2'
14'	6.6	16.6'
16'	5.0	19.0'

Beam: 61°  
Beam Edge defined as 50% of Maximum Nadir Candle-power.

### LUMINAIRE

Performance 1 LED	3,000K Wide Flood
<b>CBCP / Lumens</b>	1,285 / 1,211.5
<b>Watts</b>	120V 277V 14.4W 14.9W
<b>Operating AMPS</b>	0.12A 0.054A
<b>Lumen Maintenance</b>	L70 @ 50,000 Hrs
<b>CRI</b>	90+
<b>Lumens/Watt</b>	84.1
<b>Spacing Criteria</b>	0.25

### COEFFICIENT OF UTILIZATION - %

Ceiling Reflect %	80		50		30		
Wall Reflect %	50	30	50	30	50	30	
<b>RCR</b>	0	119	119	111	111	106	106
	2	103	98	98	95	95	92
	4	89	83	85	81	83	80
	6	78	71	75	70	74	69
	8	68	62	67	61	66	61
	10	61	55	60	54	59	54

Zonal Cavity Method  
Effective Floor Cavity Reflectance 20%

### ZONAL LUMEN SUMMARY

ZONE	LUMENS	%LUMINAIRE
0-30	829.0	68.4%
0-40	1,070.9	88.4%
0-60	1,206.8	99.6%
60-90	4.7	0.4%
0-90	1,211.5	100%

### MULTIPLE UNIT DATA - (RCR 2)

SPACING ON CENTER	INITIAL FOOTCANDLES	WATTS/SQ. FT.
5'	58	0.64
6'	33	0.36
7'	23	0.25
8'	23	0.25
9'	15	0.16

38' x 38' x 10' Room. Workplan located 2-1/2' (30").  
Reflectance factor 80%/50%/30%

### CANDELAS DISTRIBUTION

DEGREES/VERTICAL	CANDELAS	DEGREES/VERTICAL	CANDELAS
0	1,285	40	208
5	1,275	50	71
10	1,239	60	9
15	1,135	70	1
20	992	80	0
25	864	90	0
30	685		



# Ardito LED - A2SFR

2-1/2" Series

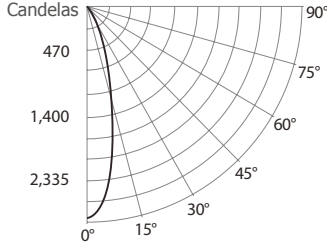
Ultra-Thin Profile Square Regressed Trim

PHOTOMETRIC DATA



## 3,000K, 94+ CRI, Narrow Flood, Performance 1 — WARM DIMMING (WD)

### CANDLEPOWER DISTRIBUTION



### LIGHT CONE

Distance	FC	DIA
06'	76.4	2.7'
08'	42.9	3.5'
10'	27.5	4.4'
12'	19.1	5.3'
14'	14.0	6.2'
16'	10.8	7.1'

Beam: 24.9°  
Beam Edge defined as 50% of Maximum Nadir Candle-power.

### LUMINAIRE

Performance 1 LED	3,000K	Narrow Flood
CBCP / Lumens	2,751	/ 762.7
Watts	120V	277V
	14.9W	15.4W
Operating AMPS	0.12A	0.055A
Lumen Maintenance	L70 @ 50,000 Hrs	
CRI	94+	
Lumens/Watt	51.2	
Spacing Criteria	0.23	

### COEFFICIENT OF UTILIZATION - %

Ceiling Reflect %	80		50		30	
Wall Reflect %	50	30	50	30	50	30
RCR 0	119	119	111	111	106	106
2	106	103	101	99	98	96
4	96	91	92	89	91	87
6	87	82	85	81	84	80
8	80	75	79	75	78	74
10	74	70	73	69	73	69

Zonal Cavity Method  
Effective Floor Cavity Reflectance 20%

### ZONAL LUMEN SUMMARY

ZONE	LUMENS	%LUMINAIRE
0-30	641.5	84.1%
0-40	726.8	95.3%
0-60	762.6	100%
60-90	0	0%
0-180	762.7	100%

### MULTIPLE UNIT DATA - (RCR 2)

SPACING ON CENTER	INITIAL FOOTCANDLES	WATTS/SQ. FT.
5'	28	0.50
6'	29	0.51
7'	21	0.37
8'	15	0.26
9'	15	0.26

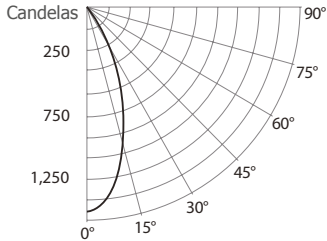
38' x 38' x 10' Room. Workplan located 2-1/2' (30").  
Reflectance factor 80%/50%/30%

### CANDELAS DISTRIBUTION

DEGREES/VERTICAL	CANDELAS	DEGREES/VERTICAL	CANDELAS
0	2,751	40	71
5	2,455	50	17
10	1,804	60	0
15	1,044	70	0
20	518	80	0
25	327	90	0
30	224		

## 3,000K, 94+ CRI, Flood, Performance 1 — WARM DIMMING (WD)

### CANDLEPOWER DISTRIBUTION



### LIGHT CONE

Distance	FC	DIA
06'	40.4	4.5'
08'	22.7	6.0'
10'	14.5	7.5'
12'	10.1	9.0'
14'	7.4	10.5'
16'	5.7	12.0'

Beam: 41.1°  
Beam Edge defined as 50% of Maximum Nadir Candle-power.

### LUMINAIRE

Performance 1 LED	3,000K	Wide Flood
CBCP / Lumens	1,453	/ 774.9
Watts	120V	277V
	14.8W	15.3W
Operating AMPS	0.12A	0.055A
Lumen Maintenance	L70 @ 50,000 Hrs	
CRI	94+	
Lumens/Watt	52.4	
Spacing Criteria	1.99	

### COEFFICIENT OF UTILIZATION - %

Ceiling Reflect %	80		50		30	
Wall Reflect %	50	30	50	30	50	30
RCR 0	119	119	111	111	106	106
2	105	101	100	97	97	94
4	93	88	89	86	88	84
6	83	78	81	76	79	76
8	75	70	73	69	72	68
10	68	63	67	62	66	62

Zonal Cavity Method  
Effective Floor Cavity Reflectance 20%

### ZONAL LUMEN SUMMARY

ZONE	LUMENS	%LUMINAIRE
0-30	620.8	80.1%
0-40	725.3	93.6%
0-60	774.7	100%
60-90	0.2	0%
0-90	774.9	100%

### MULTIPLE UNIT DATA - (RCR 2)

SPACING ON CENTER	INITIAL FOOTCANDLES	WATTS/SQ. FT.
5'	28	0.49
6'	29	0.50
7'	21	0.37
8'	15	0.26
9'	15	0.26

38' x 38' x 10' Room. Workplan located 2-1/2' (30").  
Reflectance factor 80%/50%/30%

### CANDELAS DISTRIBUTION

DEGREES/VERTICAL	CANDELAS	DEGREES/VERTICAL	CANDELAS
0	1,453	40	95
5	1,364	50	24
10	1,199	60	0
15	984	70	0
20	716	80	0
25	444	90	0
30	255		