

HexaLED 2.0

LED 6" and 10-1/2" Trim

HED (Adjustable) — HEF (Fixed) — HE10D (10-1/2" Adjustable)

1. Install the ceiling material and cut a hole of $\varnothing 7\text{-}1/4"$ (184 mm). If you have the 10-1/2" model, the maximum size of the hole you can cut is $\varnothing 9\text{-}1/4"$ (235 mm).

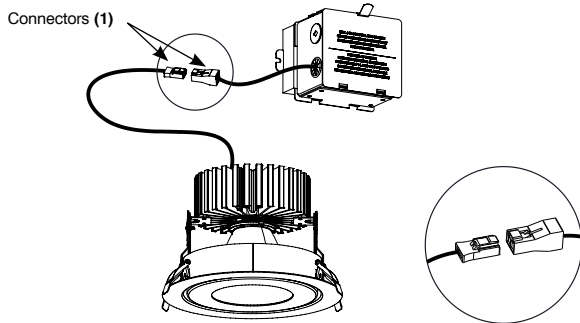
Note:

Required clearance beyond ceiling level is **6" (152 mm)** for fixed trim and **6-3/4" (172 mm)** for adjustable trim. This measure includes ceiling material.

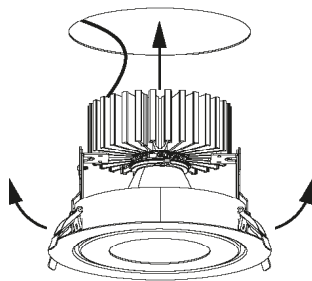
Each part of the housing should be at least 3" (76 mm) from insulation (NON-IC housing configuration).

Can fit up to 1-1/2" (38 mm) thick ceiling.

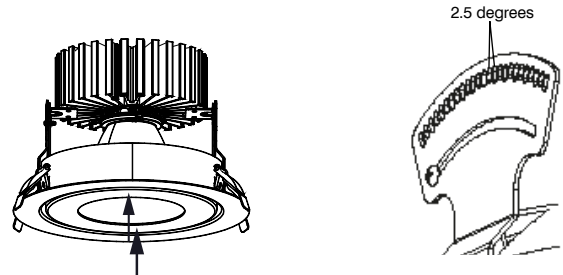
2. Connect the trim connector (1) to the housing connector. A clicking noise indicates a locked connection.



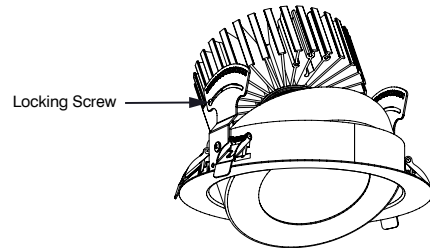
3. Push the spring loaded clips in vertical position and insert the fixture in the ceiling. Release the clips and the fixture will be pulled flush to the ceiling.



4. The incremental adjustment (2.5 degrees each) of the adjustable trim is accomplished by simply pressing the center part flange towards the desired angle.



5. It is also possible to lock the mechanism before installation by tightening the locking screw.



Please keep these instructions for future reference.

Certified cULus for installation in damp locations.



WARNING

The use of other company's (non-Contraste) products or components (e. g. trims) in conjunction with Contrast Lighting M.L. Inc. products may not be covered by UL approvals and could be hazardous. Such use automatically voids all Contrast Lighting M.L. Inc. warranty and responsibility of these products.



WARNING: SHOCK AND FIRE HAZARD

- Consult a qualified electrician before installing.

WARRANTY: CONTRAST LIGHTING M. L. INC. guarantees the components against manufacturing defects for a period of one (1) year, under normal use with proof of purchase. The obligation of the manufacturer consists in the cost of the components and does not cover the cost of labor and transport for replacement. For all claims, please contact your local supplier. See our Web site for additional warranty details. Note: 5 year warranty on driver and LED module.

CONTRASTE

1009, rue du Parc Industriel
Lévis (Québec) G6Z 1C5 Canada

Tel.: 1-888-839-4624
Fax.: 1-877-839-7057

contrastlighting.com
info@contrastlighting.com

© 2018 Contrast Lighting M.L. Inc.
All rights reserved

EC716
104480

Contrast Lighting M.L. Inc. reserves the right to make changes in specifications and/or to discontinue any product at any time without notice or obligation and will not be liable for any consequences resulting from the use of this publication.