

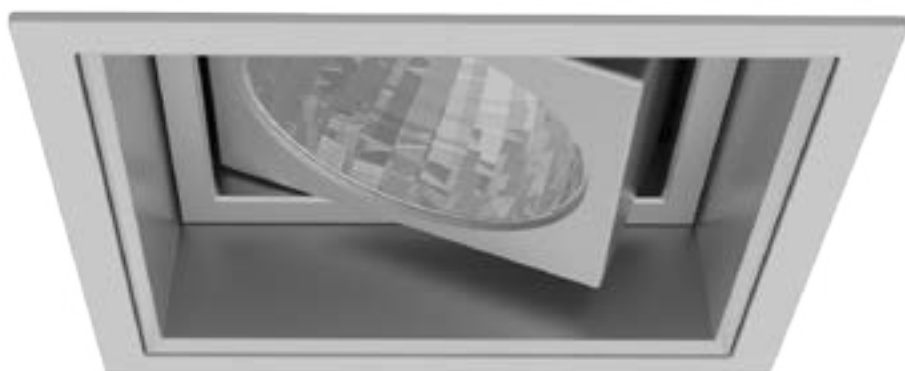
# Installation Guide

# Ardito

3-1/2" and 4"

3-1/2" Trims: A3RFR, A3SFR, A3RFD, A3RAF, A3RAR, A3SAR, A3RWW, A3SWW, A3RSF, A3SSF

4" Trims: A4RFR, A4SFR, A4RAF, A4RAR, A4SAR, A4RWW, A4SWW, A4RSF, A4SSF



**CONTRASTE**



# Table of Content

PAGES

Warnings and Warranties .....	2
Ceiling Cutout .....	3
Trim Support Installation .....	4
Support Cable Installation.....	5
Light Engine Connection.....	5
Light Engine Installation .....	6
Adjustment Trim Setting.....	6
Uninstalling Light Engine with and without Flange.....	7
Reflector and Lens Installation.....	7

## 1 Warnings and Warranties



**WARNING** - The use of another company's (non-Contraste) products or components in conjunction with Contraste products may not be covered by UL approvals, and could be hazardous. Such use automatically voids all Contraste warranties and responsibility for any problems that may result from such use.



### **WARNING - SHOCK AND FIRE HAZARD**

- Consult a qualified electrician before installing.
- Non-IC: All parts of housing must be at least 3" (76 mm) from insulation materials.
- IC: Insulated Ceiling, except polyurethane

### **WARRANTY:**

CONTRAST LIGHTING M. L. INC. guarantees the components against manufacturing defects for a period of one (1) year, under normal use with proof of purchase. The obligation of the manufacturer consists in the cost of the components and does not cover the cost of labor and transportation for replacement. For all claims, please contact your local supplier. See our website for additional warranty details.

Note: 5-year warranty on driver and LED module.

*Please keep these instructions for future reference.*

# 2 Ceiling Cutout

*If the mud-in-plate is already installed, please skip to section 4.*

**Important:** As the side trim is very thin and narrow, the edges of the hole must be clear, precise and without notches so that trim fits perfectly in the ceiling.

**Note:** For square trim, it is strongly recommended to use the cardboard cutting template included with the trim.

## 1. Cutting Diameter:

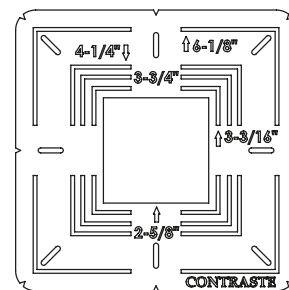
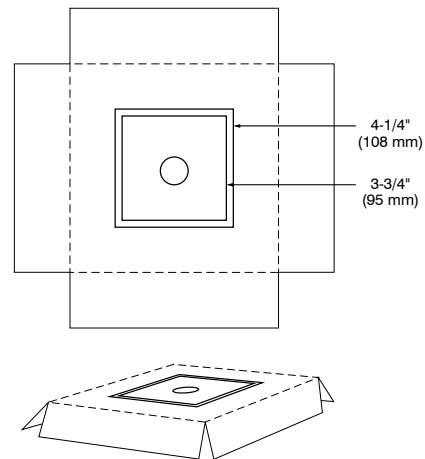
3-1/2" Round Trims:  $\varnothing$  3-3/4" (95 mm)

4" Round Trims:  $\varnothing$  4-1/4" (108 mm)

3-1/2" Square Trims: 3-3/4" (95 mm) x 3-3/4" (95 mm)

4" Square Trims: 4-1/4" (108 mm) x 4-1/4" (108 mm)

**Note:** For installation spacing requirements, please see trim specification sheet.

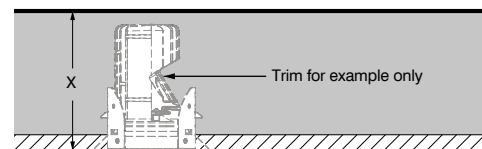


TEMP-SQ, Steel square cutout template

### Contraste Square Cutout Template (Optional)

This cutout template is designed for all square size ceiling cutouts of Contraste trims.

## 2. Clearance required beyond ceiling level:



### Trims

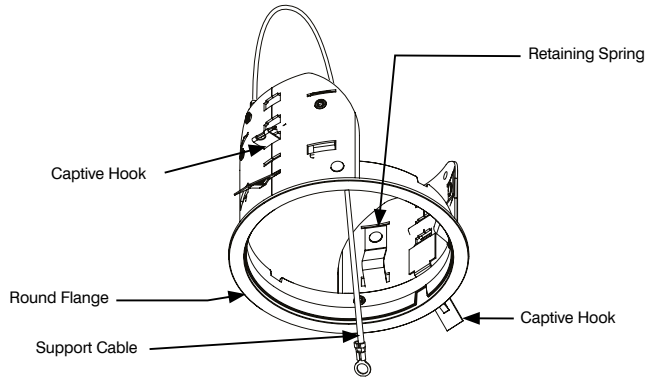
Trims		Standard Clearance	Lumenetix Option Clearance
3-1/2"	4"		
A3RFR	A4RFR	6-1/2" (165 mm)	7" (178 mm)
A3SFR	A4SFR		
A3RAR	A4RAR		
A3SAR	A4SAR		
A3RSF	A4RSF	6-1/2" (165 mm)	-
A3SSF	A4SSF		
A3RWW	A4RWW	6-1/2" (165 mm)	7" (178 mm)
A3SWW	A4SWW		
A3RAF	A4RAF	5-1/2" (140 mm)	6" (152 mm)
A3RFD		6" (152 mm)	6-1/2" (165 mm)

# 3 Trim Support Installation

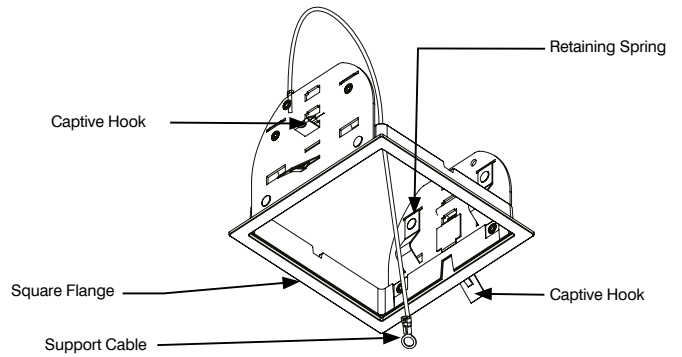
## IMPORTANT

Before installing the unit, dismantle the trim support by a simple upward pressure.  
Store the light engine in a secured space to avoid any loss or damage.

### Round Trim Support

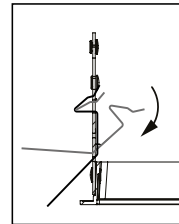


### Square Trim Support

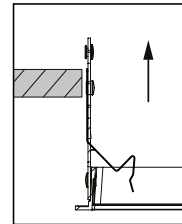


1. Unlock the upper part of the captive hooks on the assembly plate to release the hooks. Use the various adjustment holes on each side of the trim support and adjust the position of the captive hooks according to the ceiling thickness.

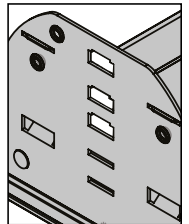
**Note:** Captive hooks are pre-installed for 1/2" (13 mm) ceiling thickness. Adjustment possibility up to a maximum of 1-1/2" (38 mm) ceiling thickness.



Release the captive hook

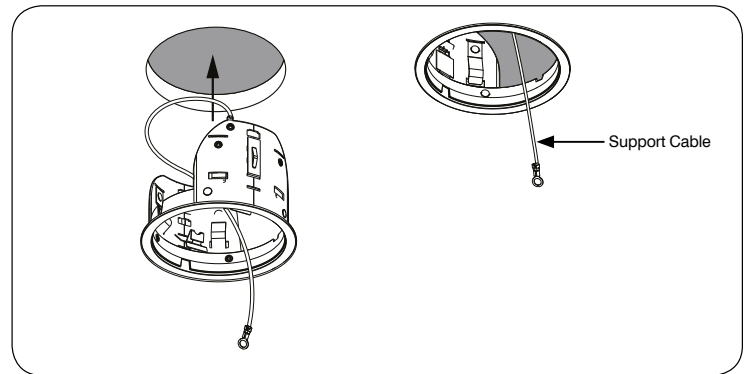


Captive hook insertion position

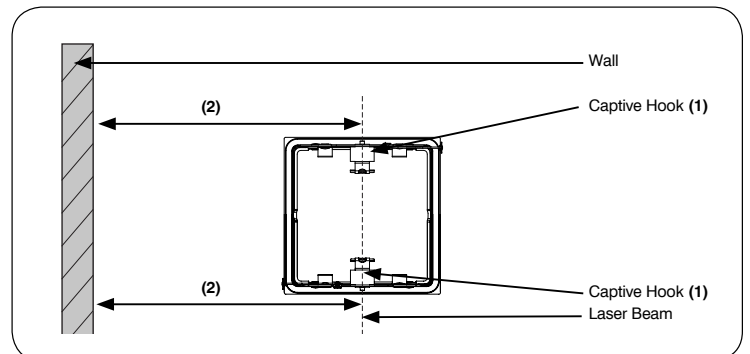


Captive hook adjustment holes

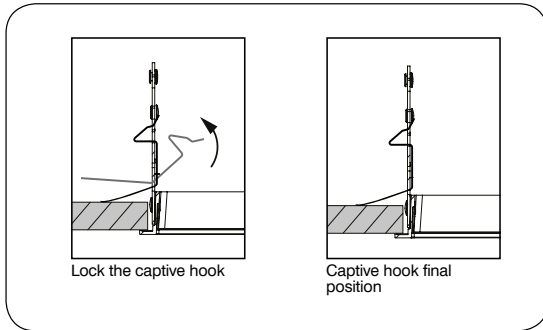
2. Insert the trim support in the ceiling hole.  
Make sure the support cable stay accessible.



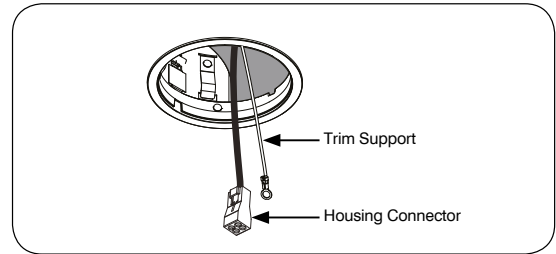
**IMPORTANT:** For square or round trim support, make sure to install the captive hooks (1) perpendicularly to the wall (2) (see picture below).



- Lock the captive hooks and make sure the hooks apply a pressure against the ceiling to maintain the trim support firmly in place.



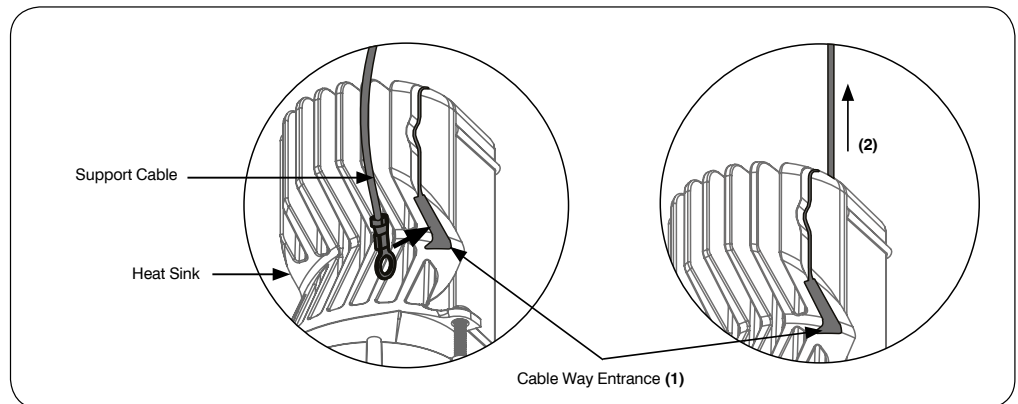
- Pull the housing connector and support cable out.



## 4 Support Cable Installation

**Note:** For security matters, the light engine must be attached permanently to the trim support or mud-in-plate.

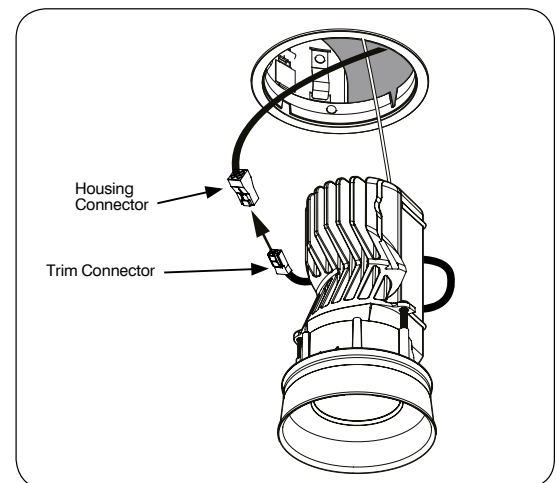
- Insert the end of the support cable into the heat sink cable way.
- Pull the cable upward to secure it in place.



## 5 Light Engine Connection

- Connect the trim connector to the housing connector. Make sure connection is done properly.

**Note:** A clicking noise indicates a secured connection.

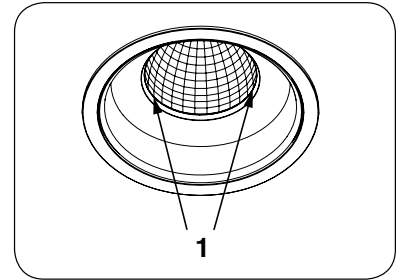




# 8 Uninstalling Light Engine with and without Flange

## Method 1 (without lens)

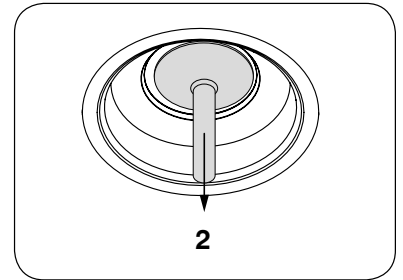
With your thumbs, apply pressure on the reflector inner sides while pulling down to release the light engine and remove it from the ceiling.



## Method 2 (with lens)

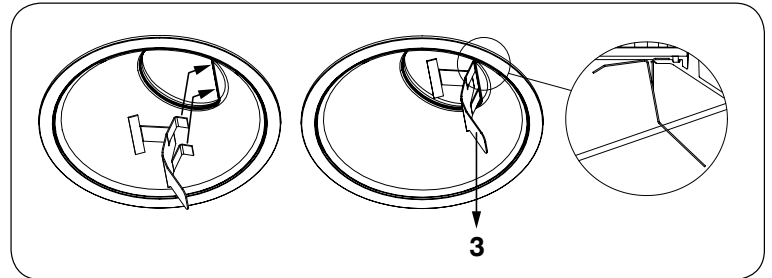
With a suction cup, apply a slight pressure to the lens and gently pull down to release the light engine from the ceiling.

**Note:** Suction cup sold separately.



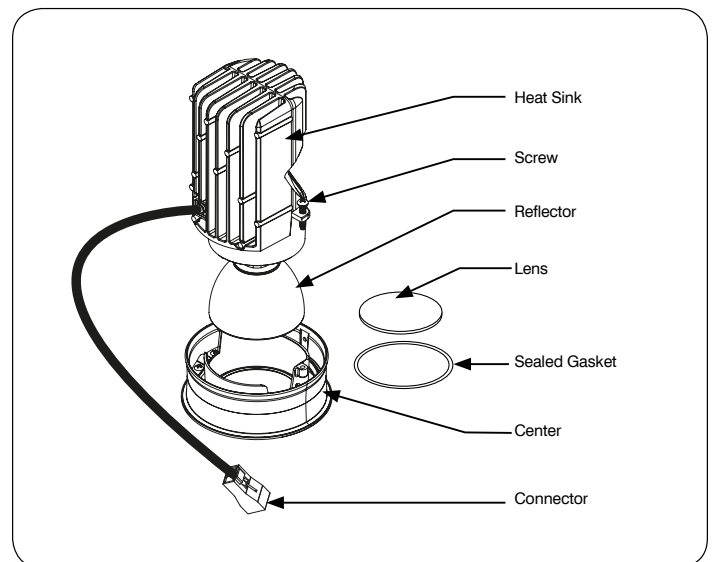
## Method 3 (Wall Wash Trim only)

Insert the hook (included with the trim) between the lens and the reflector and gently pull down to release the light engine from the ceiling.



# 9 Reflector and Lens Installation

1. Remove the light engine from the ceiling (**see section 6**).
2. Disconnect the connectors.
3. Loosen the screws of the heat sink and leave them in place.
4. Remove the reflector.
5. Insert the lens on the sealed gasket inside the light engine center.
6. Put back the reflector.
7. Reinstall the heat sink and tighten the 2 screws.
8. Reconnect the light engine to the housing connector.
9. Put back the light engine by pressing only on the base.



# CONTRASTE

CONTRAST LIGHTING M. L. INC.  
1009 RUE DU PARC-INDUSTRIEL  
LÉVIS QC G6Z 1C5  
CANADA

Tel: 1-888-839-4624  
Fax: 1-877-839-7057  
info@contrastlighting.com  
contrastlighting.com

© 2016 Contrast Lighting M.L. Inc.  
All rights reserved

Contrast Lighting reserves the right to make changes in specifications and/or to discontinue any product at any time without notice or obligation and will not be liable for any consequences resulting from the use of this publication.

EC670 (Rev. A) - 104020  
2016-11

PRINTED IN CANADA