

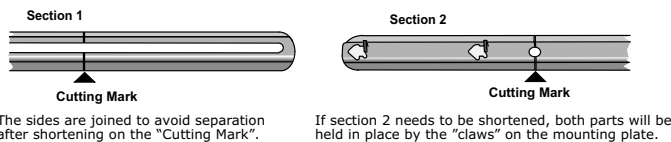
Installation Instructions

Insulated housing for installation in insulated ceiling «IC» (except polyurethane)

ISMR2000T - ISMR3000T

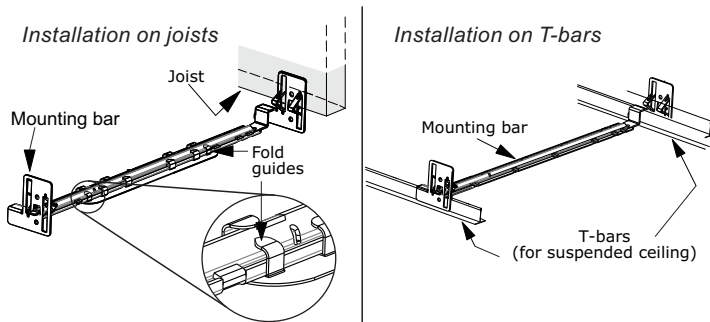
- 1 SHUT OFF ELECTRICAL SUPPLY AT SOURCE.
- 2 Locate position of fixtures and install the fixtures before installing the ceiling. Fasten the mounting frame to the joist with the adjustable mounting bars (10" to 24.5"). To shorten the bars to 10", remove bars and cut off at the notch. See Figure 1.

Figure 1 Cutting marks on adjustable bars



- 3 Once the correct bar length is known, fold over the guides located at the end of the mounting bars (see Figure 2) to minimize spring back effect while installing the trim. Reassemble.

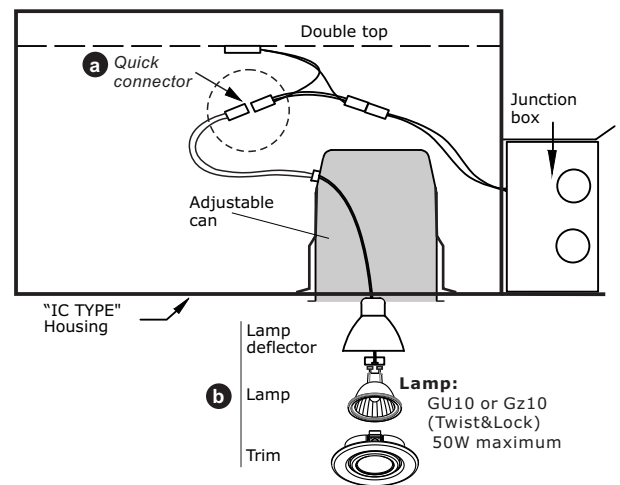
Figure 2 Adjustable mounting bars details



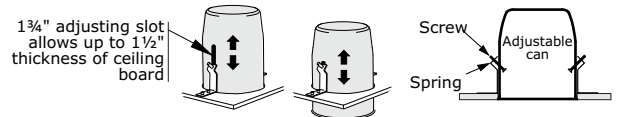
- 4 Pull out the adjustable can from insulated housing, making sure that the wire connector is unplugged **before** pulling it down. See Figure 3-a.
- 5 Open the junction box. Connect supply and ground wires with the enclosed wire connectors, matching the colors together (Black/Black, White/White and Green/Green). It is important to leave at least 10" of supply leads and ground wire inside the junction box. Close the box.
- 6 Close the ceiling

- 7 Identify the position of the fixtures centered with the opening of the mounting frame and make openings on ceiling:
 - For the ISMR2000T, cut a \varnothing 4-1/4" (108 mm) hole.
 - For the ISMR3000T, cut a \varnothing 3-5/8" (92 mm) hole.
- 8 Quick connect the triple connector. (See Figure 3-a).

Figure 3 Adjustable can - details and connections



- 9 Adjust the height of the can so that the lip is even with the ceiling.
- 10 Fasten the can with the side screws until the head of screw is tight against the wall of can and the spring leans against the outer wall, securing the can to the fixture, so that no gap is visible.



- 11 Insert the lamp in the socket, push the lamp deflector on the lamp, fix lamp in trim and fix trim to pot. See Figure 3-b.

Please keep these instructions for maintenance reference.

IMPORTANT

The use of other company's (non-Contrast) products or components (e.g. trims) in conjunction with Contrast products may not be covered by UL approvals, and could be hazardous. Such use automatically voids all Contrast warranty and responsibility from any problems that may occur.

WARNING: RISK OF FIRE

Most dwellings built before 1985 have supply wires rated 60° C. Consult a certified electrician before installing.
Do not exceed the lamp wattage indicated.



WARRANTY: CONTRAST LIGHTING M.L. INC guarantees the components against manufacturing defects for a period of one (1) year, under normal use with proof of purchase. The obligation of the manufacturer consists in the cost of the components and does not cover the cost of labor and transport for replacement. For all claims, please contact your local supplier.



CONTRAST
LIGHTING

1009, rue du Parc Industriel, Lévis QC G6Z 1C5, CANADA
E-mail: info@contrastlighting.com Tel.: 1-888-839-4624 Fax: 1-877-839-7057
Web Site: www.contrastlighting.com

REV. A EC113
100498
2015-02

PRINTED IN CANADA